

# Freezer

冷櫃



[info@x-fan.com](mailto:info@x-fan.com)

TEL : +886-7-2692559

FAX : +886-7-2692590



# Freezer

冷櫃

※Please do not hesitate to let us know if any customization request.  
本公司亦提供客製化服務，若有其他需求歡迎聯絡我們。

# Vegetable Display

蔬果櫃

AC Axial Fan : 120x38/172x51 mm



# Beverage

飲料櫃

AC/DC/EC Axial Fan : 60x15/80x15/80x25/  
92x25/120x23/120x25/120x38/172x51 mm



# Meat Display 肉品展示櫃

AC/EC Axial Fan : 120x38 mm



# Contents 目錄

## ✿ Axial Fan



04 | DC\_6015

05 | DC\_8015

06 | DC\_8025

07 | DC\_9025

08 | DC\_1223

09 | DC\_1225

10 | AC\_1238

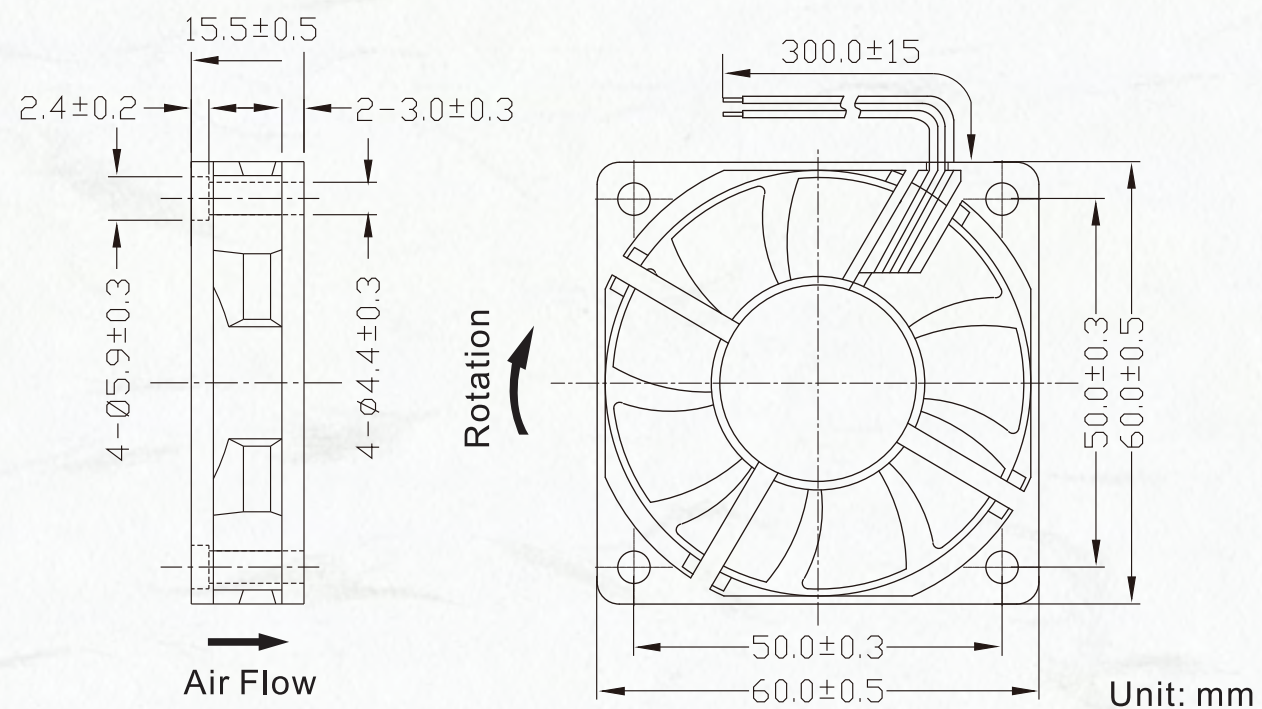
11 | EC\_1238

12 | AC\_1751



60 x 60 x 15 mm

Dimensions Drawing



Main Application : Beverage

主要應用：飲料櫃



Energy Saving



Waterproof and Dustproof

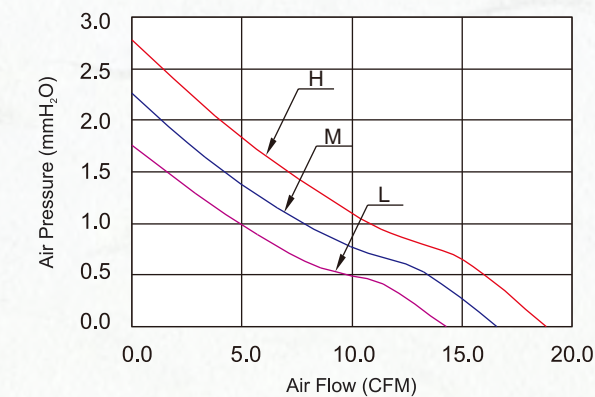


Low Noise

General Specification

- Frame and Impeller : Thermal Plastic , UL 94V-0
- Lead Wires : UL Type  
(+) : Red (-) : Black
- Operation Temperature : -10°C~70°C  
35%~85%RH
- Storage Temperature : -40°C~80°C  
35%~85%RH
- UL (5V 12V)
- VDE (24V)

Performance Curves

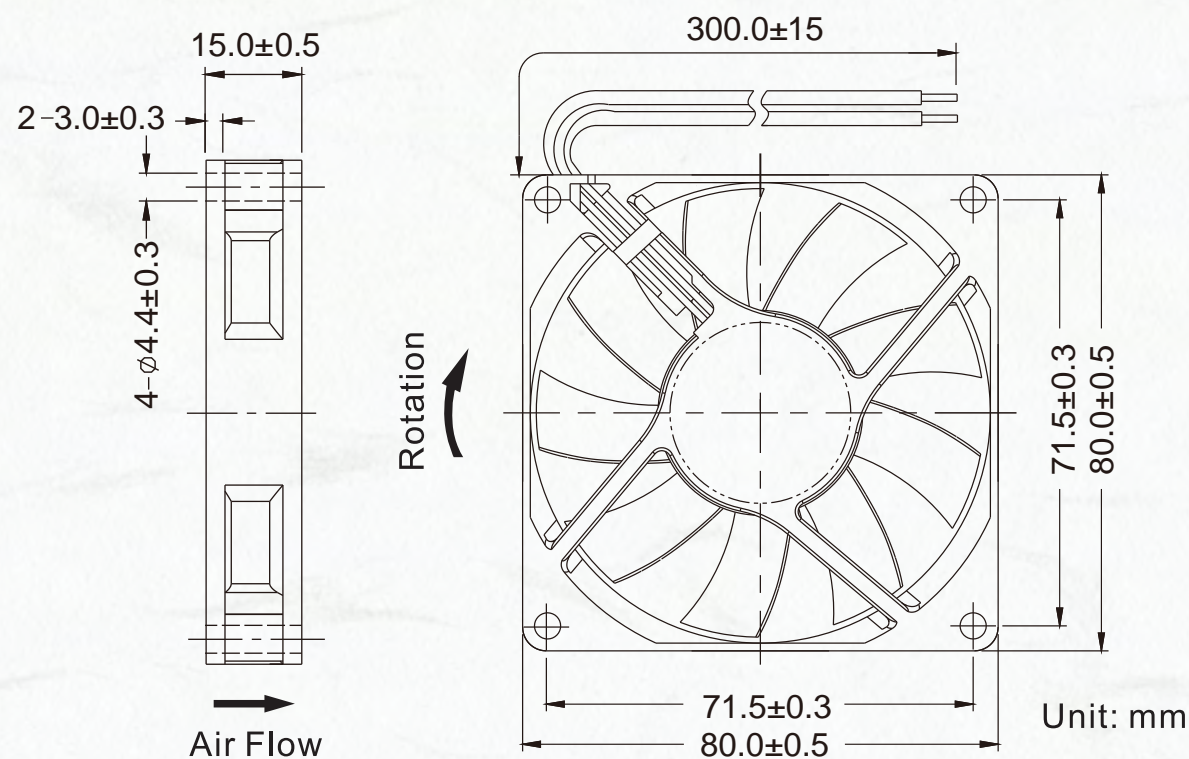


Listed Model	Bearing System	Rated Voltage	Operation Voltage	Rated Current	Rated Speed	Air Flow	Air Pressure	Noise Level	Available Features (Optional)				Weight
		VDC	VDC	A	RPM	CFM	mmH <sub>2</sub> O	dBA	Tachometer Output	Rotation Detector	Thermal Control	Pulse Width Modulation	g
RDH6015S5	Sleeve	5	3.5~5.75	0.40	4,500	18.8	2.8	32	•	•			34
RDM6015S5			3.5~5.75	0.25	4,000	16.6	2.3	30	•	•			
RDL6015S5			3.5~5.75	0.15	3,500	14.3	1.8	26	•	•			
RDH6015B5	Ball		3.5~5.75	0.40	4,500	18.8	2.8	32	•	•			
RDM6015B5			3.5~5.75	0.25	4,000	16.6	2.3	30	•	•			
RDL6015B5			3.5~5.75	0.15	3,500	14.3	1.8	26	•	•			
RDH6015S1	Sleeve	12	6.0~13.8	0.17	4,500	18.8	2.8	32	•	•	•	•	34
RDM6015S1			6.0~13.8	0.15	4,000	16.6	2.3	30	•	•	•	•	
RDL6015S1			6.0~13.8	0.11	3,500	14.3	1.8	26	•	•	•	•	
RDH6015B1	Ball		6.0~13.8	0.17	4,500	18.8	2.8	32	•	•	•	•	
RDM6015B1			6.0~13.8	0.15	4,000	16.6	2.3	30	•	•	•	•	
RDL6015B1			6.0~13.8	0.11	3,500	14.3	1.8	26	•	•	•	•	
RDH6015S2	Sleeve	24	12.0~27.6	0.15	4,500	18.8	2.8	32	•	•			34
RDM6015S2			12.0~27.6	0.10	4,000	16.6	2.3	30	•	•			
RDL6015S2			12.0~27.6	0.08	3,500	14.3	1.8	26	•	•			
RDH6015B2	Ball		12.0~27.6	0.15	4,500	18.8	2.8	32	•	•			
RDM6015B2			12.0~27.6	0.10	4,000	16.6	2.3	30	•	•			
RDL6015B2			12.0~27.6	0.08	3,500	14.3	1.8	26	•	•			



80 x 80 x 15 mm

**Dimensions Drawing**



Main Application : Beverage

主要應用：飲料櫃



Energy Saving



Waterproof and Dustproof

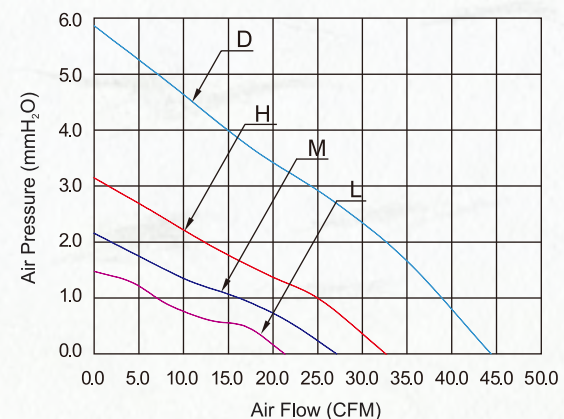


Low Noise

**General Specification**

- Frame and Impeller : Thermal Plastic , UL 94V-0
- Lead Wires : UL Type  
(+) : Red (-) : Black
- Operation Temperature : -10°C~70°C  
35%~85%RH
- Storage Temperature : -40°C~80°C  
35%~85%RH
- (12V)  
(24V)

**Performance Curves**

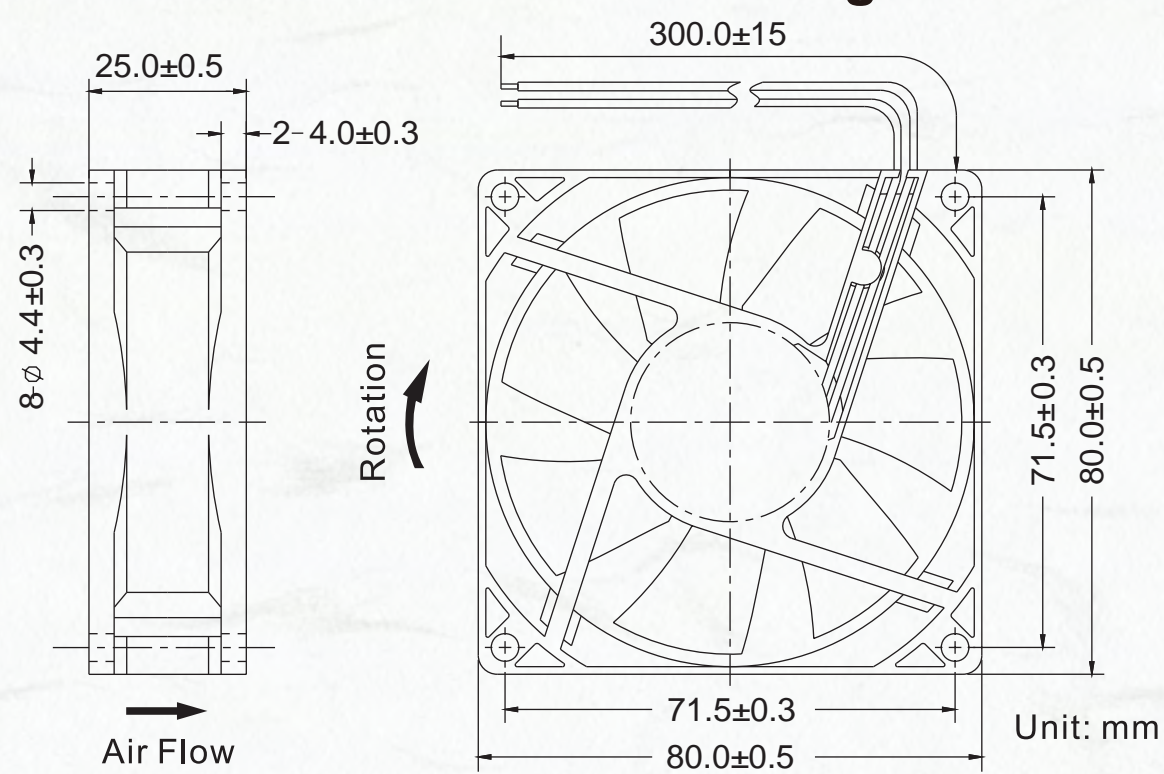


Listed Model	Bearing System	Rated Voltage	Operation Voltage	Rated Current	Rated Speed	Air Flow	Air Pressure	Noise Level	Available Features (Optional)				Weight	
		VDC	VDC	A	RPM	CFM	mmH <sub>2</sub> O	dBA	Tachometer Output	Rotation Detector	Thermal Control	Pulse Width Modulation	g	
RDD8015S1	Sleeve	12	6.0~13.8	0.27	4,100	44.4	5.8	44	•	•		•	54	
RDH8015S1			6.0~13.8	0.17	3,000	32.7	3.2	35	•	•		•		
RDM8015S1			6.0~13.8	0.14	2,500	27.2	2.2	30	•	•		•		
RDL8015S1			6.0~13.8	0.09	2,000	21.4	1.5	25	•	•		•		
RDD8015B1	Ball		6.0~13.8	0.27	4,100	44.4	5.8	44	•	•		•		
RDH8015B1			6.0~13.8	0.17	3,000	32.7	3.2	35	•	•		•		
RDM8015B1			6.0~13.8	0.14	2,500	27.2	2.2	30	•	•		•		
RDL8015B1			6.0~13.8	0.09	2,000	21.4	1.5	25	•	•		•		
RDH8015S2	Sleeve		24	12.0~27.6	0.15	3,000	32.7	3.2	35	•	•			•
RDM8015S2				12.0~27.6	0.13	2,500	27.2	2.2	30	•	•			•
RDL8015S2				12.0~27.6	0.10	2,000	21.4	1.5	25	•	•			•
RDH8015B2				12.0~27.6	0.15	3,000	32.7	3.2	35	•	•			•
RDM8015B2	Ball	12.0~27.6		0.13	2,500	27.2	2.2	30	•	•		•		
RDL8015B2		12.0~27.6		0.10	2,000	21.4	1.5	25	•	•		•		



80 x 80 x 25 mm

**Dimensions Drawing**



**Main Application : Beverage**

**主要應用：飲料櫃**



Energy Saving



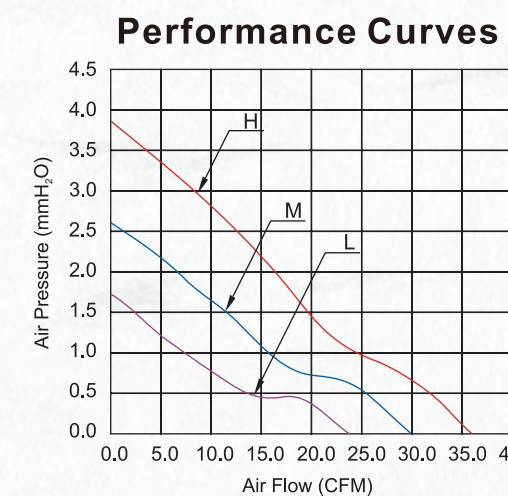
Waterproof and Dustproof



Low Noise

**General Specification**

- Frame and Impeller : Thermal Plastic , UL 94V-0
- Lead Wires : UL Type  
(+) : Red (-) : Black
- Operation Temperature : -10°C~70°C  
35%~85%RH
- Storage Temperature : -40°C~80°C  
35%~85%RH
- 

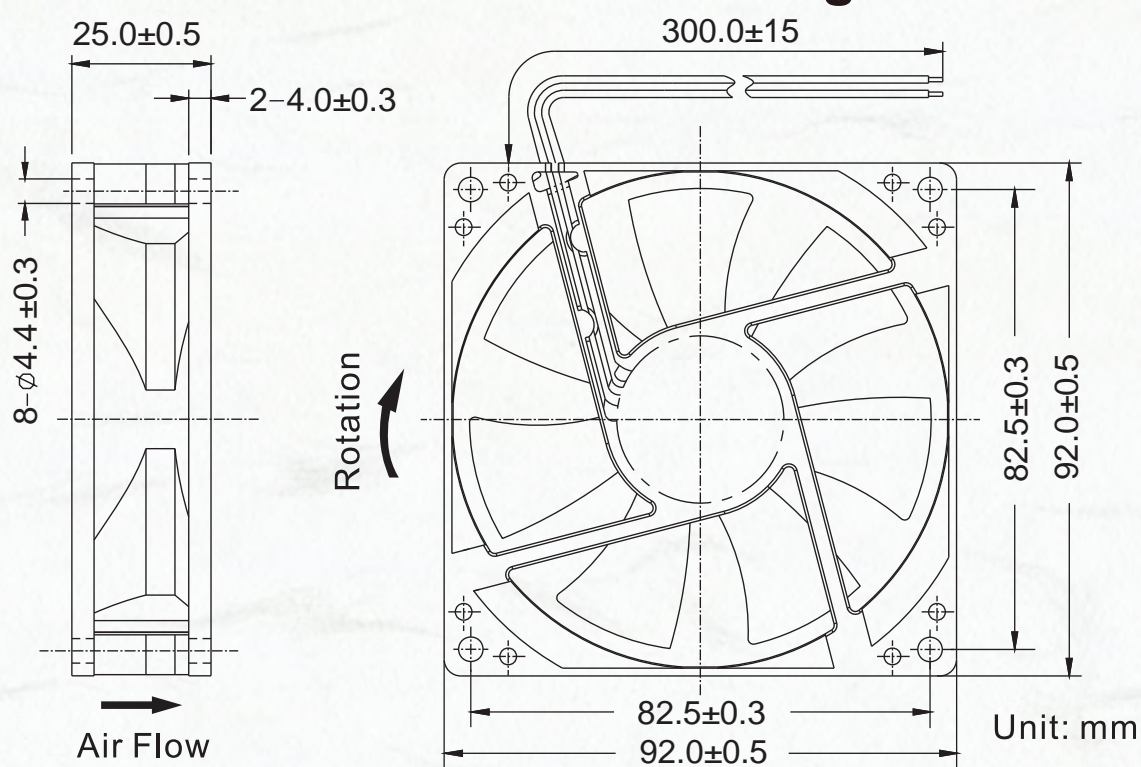


Listed Model	Bearing System	Rated Voltage	Operation Voltage	Rated Current	Rated Speed	Air Flow	Air Pressure	Noise Level	Available Features (Optional)				Weight
		VDC	VDC	A	RPM	CFM	mmH <sub>2</sub> O	dBA	Tachometer Output	Rotation Detector	Thermal Control	Pulse Width Modulation	g
RDH8025S5	Sleeve	5	3.5~5.75	0.40	3,000	35.7	3.8	33	•	•			76
RDM8025S5			3.5~5.75	0.28	2,500	29.5	2.6	29	•	•			
RDL8025S5			3.5~5.75	0.22	2,000	23.5	1.7	24	•	•			
RDH8025B5	Ball		3.5~5.75	0.40	3,000	35.7	3.8	33	•	•			
RDM8025B5			3.5~5.75	0.28	2,500	29.5	2.6	29	•	•			
RDL8025B5			3.5~5.75	0.22	2,000	23.5	1.7	24	•	•			
RDH8025S	Sleeve	12	6.0~13.8	0.17	3,000	35.7	3.8	33	•	•	•	•	
RDM8025S			6.0~13.8	0.11	2,500	29.5	2.6	29	•	•	•	•	
RDL8025S			6.0~13.8	0.08	2,000	23.5	1.7	24	•	•	•	•	
RDH8025B	Ball		6.0~13.8	0.17	3,000	35.7	3.8	33	•	•	•	•	
RDM8025B			6.0~13.8	0.11	2,500	29.5	2.6	29	•	•	•	•	
RDL8025B			6.0~13.8	0.08	2,000	23.5	1.7	24	•	•	•	•	
RDH8025S2	Sleeve	24	12.0~27.6	0.15	3,000	35.7	3.8	33	•	•			
RDM8025S2			12.0~27.6	0.12	2,500	29.5	2.6	29	•	•			
RDL8025S2			12.0~27.6	0.09	2,000	23.5	1.7	24	•	•			
RDH8025B2	Ball		12.0~27.6	0.15	3,000	35.7	3.8	33	•	•			
RDM8025B2			12.0~27.6	0.12	2,500	29.5	2.6	29	•	•			
RDL8025B2			12.0~27.6	0.09	2,000	23.5	1.7	24	•	•			



92 x 92 x 25 mm

**Dimensions Drawing**



Main Application : Beverage

主要應用：飲料櫃



Energy Saving



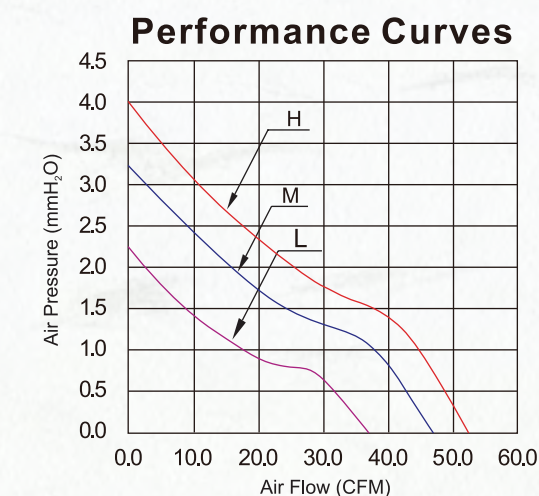
Waterproof and Dustproof



Low Noise

**General Specification**

- Frame and Impeller : Thermal Plastic , UL 94V-0
- Lead Wires : UL Type  
(+) : Red (-) : Black
- Operation Temperature : -10°C~70°C  
35%~85%RH
- Storage Temperature : -40°C~80°C  
35%~85%RH
- 



Listed Model	Bearing System	Rated Voltage	Operation Voltage	Rated Current	Rated Speed	Air Flow	Air Pressure	Noise Level	Available Features (Optional)				Weight	
		VDC	VDC	A	RPM	CFM	mmH <sub>2</sub> O	dBA	Tachometer Output	Rotation Detector	Thermal Control	Pulse Width Modulation	g	
RDH9025S	Sleeve	12	6.0~13.8	0.23	2,800	52.3	4.0	37	•	•	•	•	85	
RDM9025S			6.0~13.8	0.19	2,500	47.0	3.2	34	•	•	•	•		
RDL9025S			6.0~13.8	0.16	2,000	37.1	2.3	29	•	•	•	•		
RDH9025B	Ball		6.0~13.8	0.23	2,800	52.3	4.0	37	•	•	•	•		
RDM9025B			6.0~13.8	0.19	2,500	47.0	3.2	34	•	•	•	•		
RDL9025B			6.0~13.8	0.16	2,000	37.1	2.3	29	•	•	•	•		
RDH9025S2	Sleeve		24	12.0~27.6	0.22	2,800	52.3	4.0	37	•	•	•		•
RDM9025S2				12.0~27.6	0.18	2,500	47.0	3.2	34	•	•	•		•
RDL9025S2				12.0~27.6	0.15	2,000	37.1	2.3	29	•	•	•		•
RDH9025B2	Ball			12.0~27.6	0.22	2,800	52.3	4.0	37	•	•	•		•
RDM9025B2				12.0~27.6	0.18	2,500	47.0	3.2	34	•	•	•		•
RDL9025B2				12.0~27.6	0.15	2,000	37.1	2.3	29	•	•	•		•



Main Application : Beverage

主要應用：飲料櫃



Energy Saving



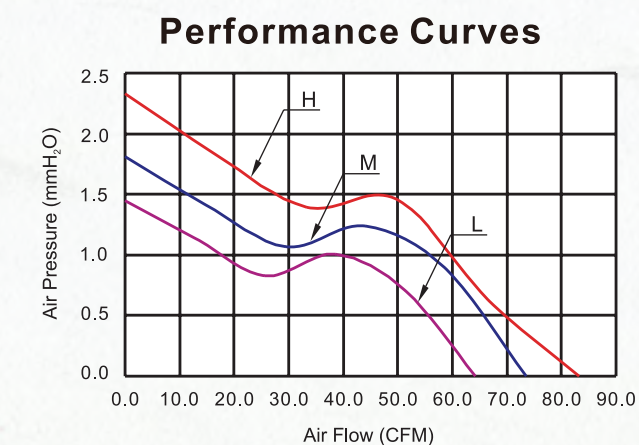
Waterproof and Dustproof



Low Noise

General Specification

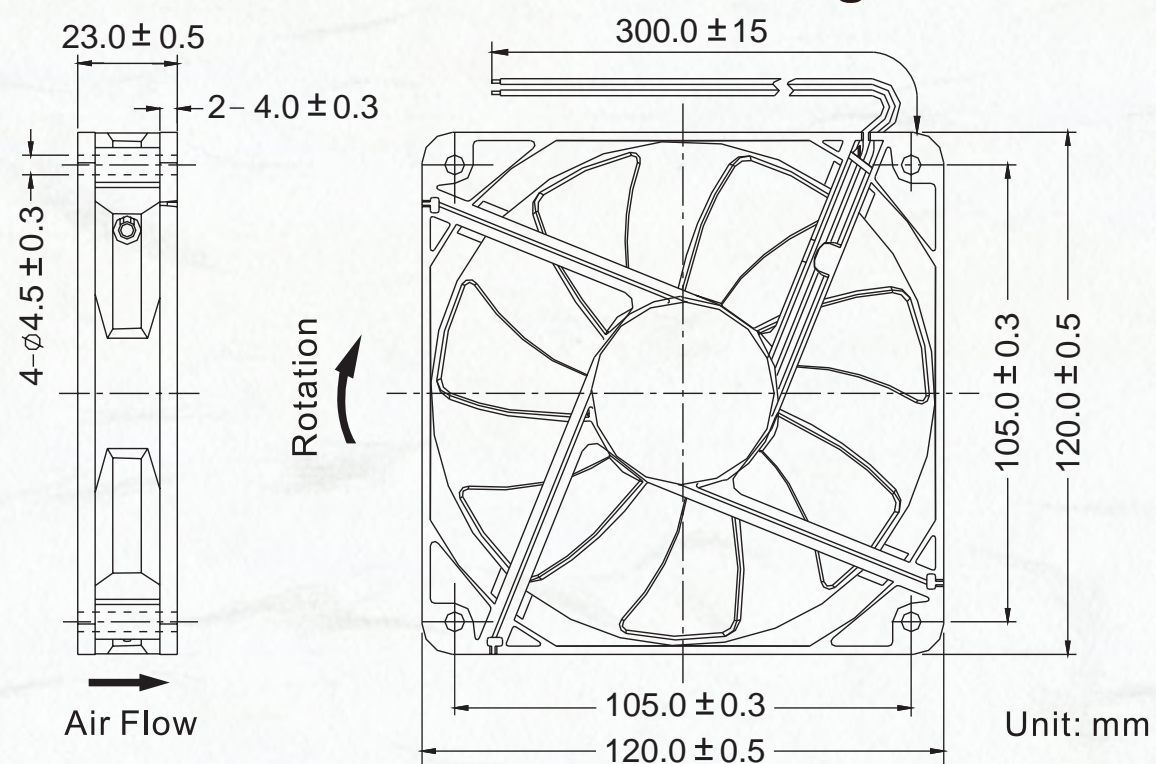
- Frame and Impeller : Thermal Plastic , UL 94V-0
- Lead Wires : UL Type  
(+ ) : Red (- ) : Black
- Operation Temperature : -10°C~70°C  
35%~85%RH
- Storage Temperature : -40°C~80°C  
35%~85%RH



120 x 120 x 23 mm

Listed Model	Bearing System	Rated Voltage	Operation Voltage	Rated Current	Rated Speed	Air Flow	Air Pressure	Noise Level	Available Features (Optional)				Weight
		VDC	VDC	A	RPM	CFM	mmH <sub>2</sub> O	dBA	Tachometer Output	Rotation Detector	Thermal Control	Pulse Width Modulation	g
RDH1223S1	Sleeve	12	6.0~13.8	0.40	2,200	83.3	2.3	36	•	•		•	125
RDM1223S1			6.0~13.8	0.23	1,900	73.5	1.8	31	•	•		•	
RDL1223S1			6.0~13.8	0.18	1,700	64.3	1.5	29	•	•		•	

Dimensions Drawing

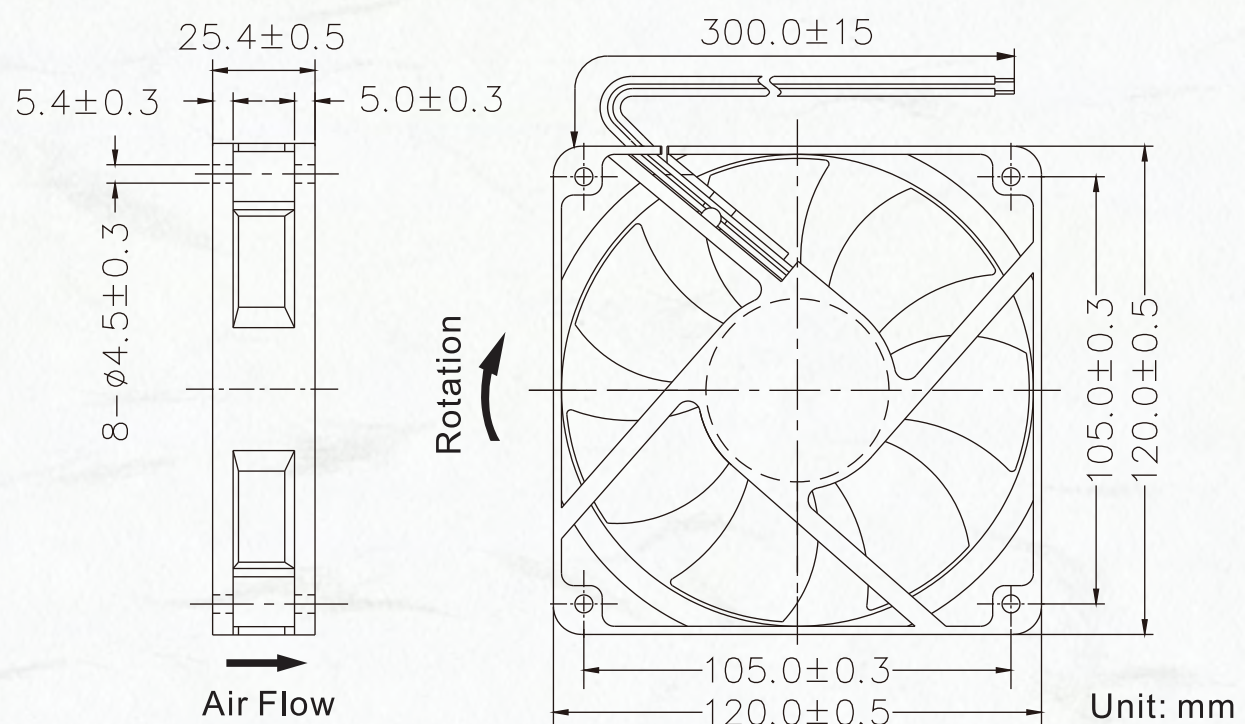






120 x 120 x 25 mm

### Dimensions Drawing



Main Application : Beverage

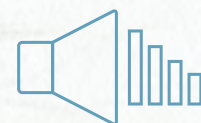
主要應用：飲料櫃



Energy Saving



Waterproof and Dustproof



Low Noise

### General Specification

Frame and Impeller : Thermal Plastic , UL 94V-0

Lead Wires : UL Type

(+) : Red (-) : Black

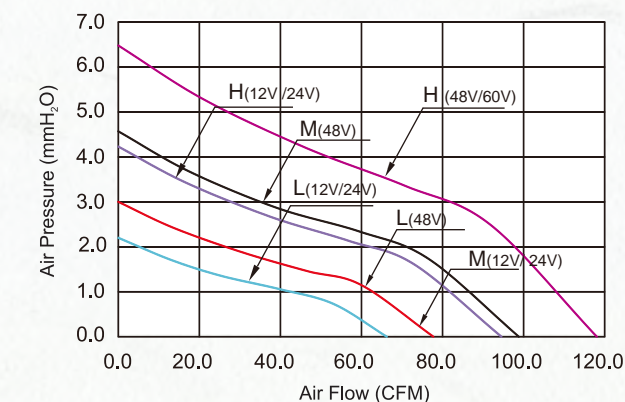
Operation Temperature : -10°C~70°C  
35%~85%RH

Storage Temperature : -40°C~80°C  
35%~85%RH

UL (12V 24V 48V)

UL (60V)

### Performance Curves



Listed Model	Bearing System	Rated Voltage	Operation Voltage	Rated Current	Rated Speed	Air Flow	Air Pressure	Noise Level	Available Features (Optional)				Weight	
		VDC	VDC	A	RPM	CFM	mmH <sub>2</sub> O	dBA	Tachometer Output	Rotation Detector	Thermal Control	Pulse Width Modulation	g	
RDH1225S	Sleeve	12	6.0~13.8	0.40	2,400	94.5	4.2	41	•	•	•	•	164	
RDM1225S			6.0~13.8	0.23	2,000	77.7	3.0	36	•	•	•	•		
RDL1225S			6.0~13.8	0.18	1,700	66.2	2.2	31	•	•	•	•		
RDH1225B	Ball		6.0~13.8	0.40	2,400	94.5	4.2	41	•	•	•	•		
RDM1225B			6.0~13.8	0.23	2,000	77.7	3.0	36	•	•	•	•		
RDL1225B			6.0~13.8	0.18	1,700	66.2	2.2	31	•	•	•	•		
RDH1225S2	Sleeve	24	12.0~27.6	0.35	2,400	94.5	4.2	41	•	•	•	•	164	
RDM1225S2			12.0~27.6	0.20	2,000	77.7	3.0	36	•	•	•	•		
RDL1225S2			12.0~27.6	0.13	1,700	66.2	2.2	31	•	•	•	•		
RDH1225B2	Ball		12.0~27.6	0.35	2,400	94.5	4.2	41	•	•	•	•		
RDM1225B2			12.0~27.6	0.20	2,000	77.7	3.0	36	•	•	•	•		
RDL1225B2			12.0~27.6	0.13	1,700	66.2	2.2	31	•	•	•	•		
RDH1225B4	Ball	48	24.0~55.2	0.30	3,000	118.0	6.5	48	•	•	•	•	164	
RDM1225B4			24.0~55.2	0.24	2,500	98.8	4.6	43	•	•	•	•		
RDL1225B4			24.0~55.2	0.15	2,000	77.7	3.0	36	•	•	•	•		
RDH1225B6	Ball		60	36.0~72.0	0.30	3,000	118.0	6.5	48	•	•	•		•



Main Application : Beverage/Vegetable Display/Meat Display

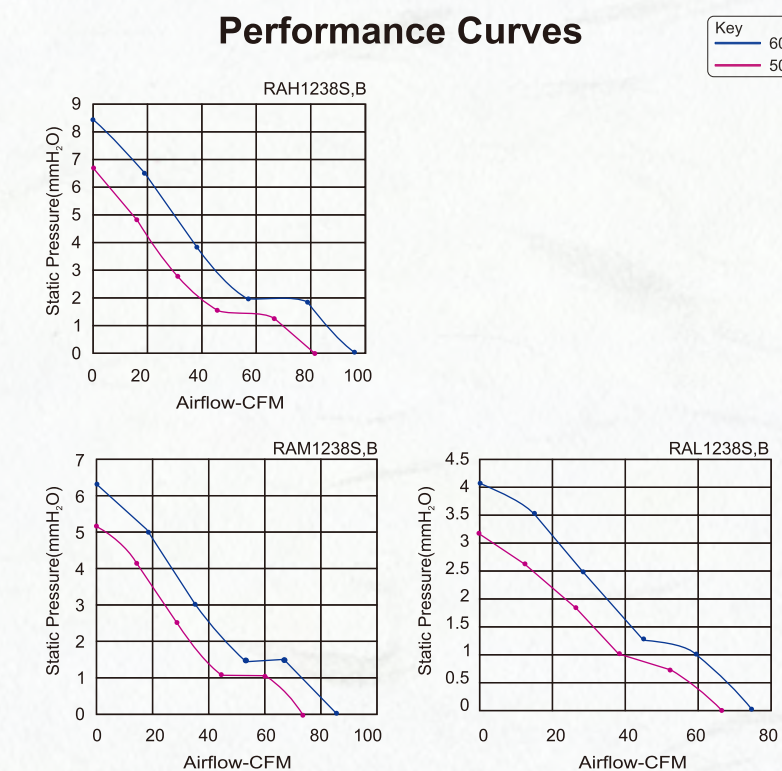
主要應用：飲料櫃/蔬果櫃/肉品展示櫃



**General Specification**

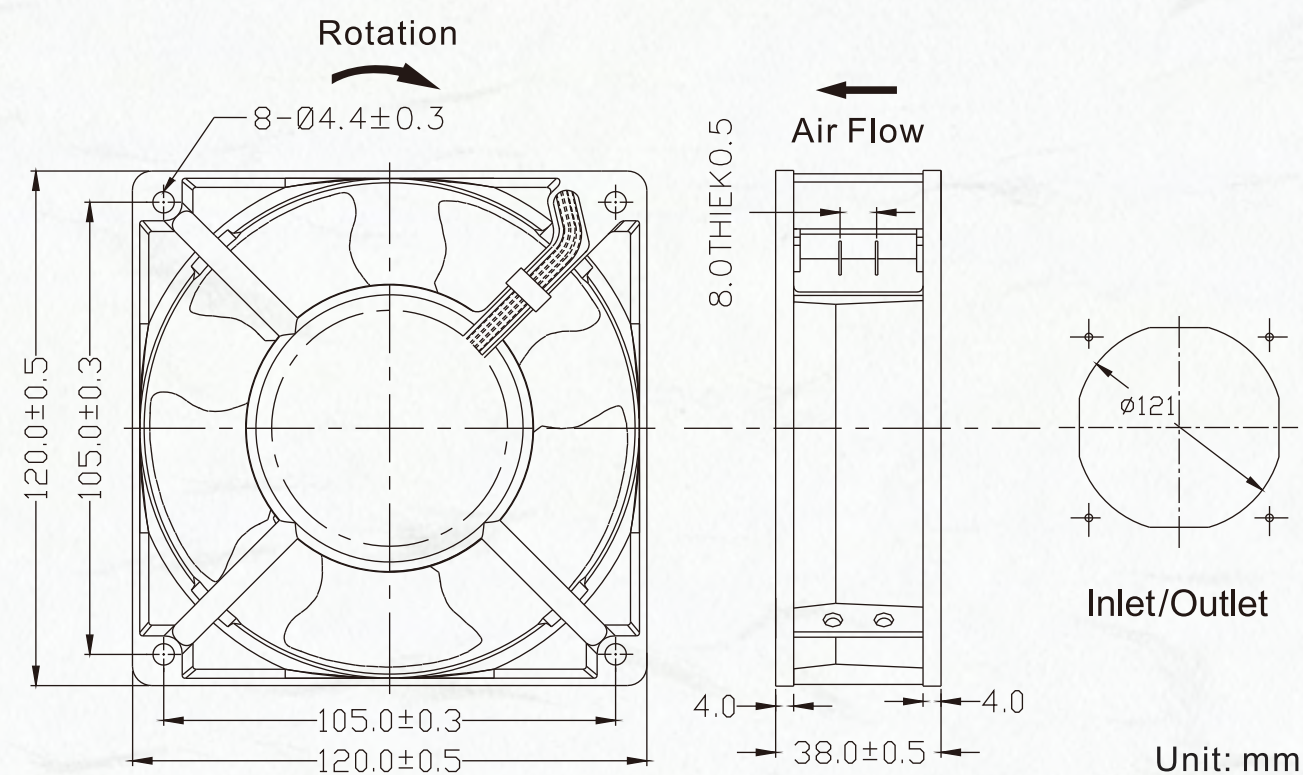
- Impeller : PBT UL94V-0 Reinforced Plastic
- Frame : Aluminum Alloy
- Terminals : 0.5mm
- Lead Wire : AWG#22 UL 1430(Optional)
- Motor : Shaded Pole Induction Motor
- Operation Temperature : -10°C~+70°C  
35%~85%RH
- Storage Temperature : -40°C~75°C  
35%~85%RH
- (220~240V)
- (100~125V)

**Performance Curves**



120 x 120 x 38 mm

**Dimensions Drawing**



Model	Bearing System	Voltage VAC	Freq. Hz	Current A	Power W	Speed RPM	Noise dBA	Air Flow		Static Pressure (mmH <sub>2</sub> O)	Weight Gram
								M <sup>3</sup> /hr	CFM		
RAH1238S1	Sleeve	220~240	50/60	0.20	23/20	2600/3000	40/43	139/163	82/96	6.8/8.5	500
RAM1238S1		220~240	50/60	0.16	15/14	2400/2700	39/42	127/144	75/85	5.3/6.3	
RAL1238S1		220~240	50/60	0.10	10/9	2100/2400	35/39	114/127	67/75	3.1/4.1	
RAH1238S2		100~125	50/60	0.30	23/20	2600/3000	40/43	139/163	82/96	6.8/8.5	
RAM1238S2		100~125	50/60	0.25	15/14	2400/2700	39/42	127/144	75/85	5.3/6.3	
RAL1238S2		100~125	50/60	0.24	10/9	2100/2400	35/39	114/127	67/75	3.1/4.1	
RAH1238B1	Ball	220~240	50/60	0.20	23/20	2600/3000	41/44	139/163	82/96	6.8/8.5	
RAM1238B1		220~240	50/60	0.16	15/14	2400/2700	39/42	127/144	75/85	5.3/6.3	
RAL1238B1		220~240	50/60	0.10	10/9	2100/2400	35/39	114/127	67/75	3.1/4.1	
RAH1238B2		100~125	50/60	0.30	23/20	2600/3000	41/44	139/163	82/96	6.8/8.5	
RAM1238B2		100~125	50/60	0.25	15/14	2400/2700	39/42	127/144	75/85	5.3/6.3	
RAL1238B2		100~125	50/60	0.24	14/13	2100/2400	35/39	114/127	67/75	3.1/4.1	



Main Application : Beverage/Meat Display

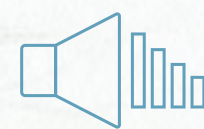
主要應用：飲料櫃/肉品展示櫃



Energy Saving



Waterproof and Dustproof

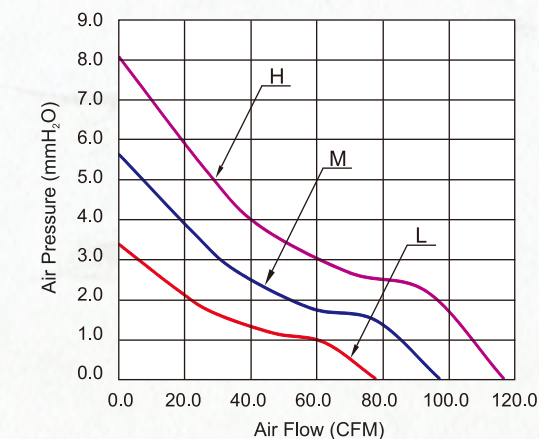


Low Noise

General Specification

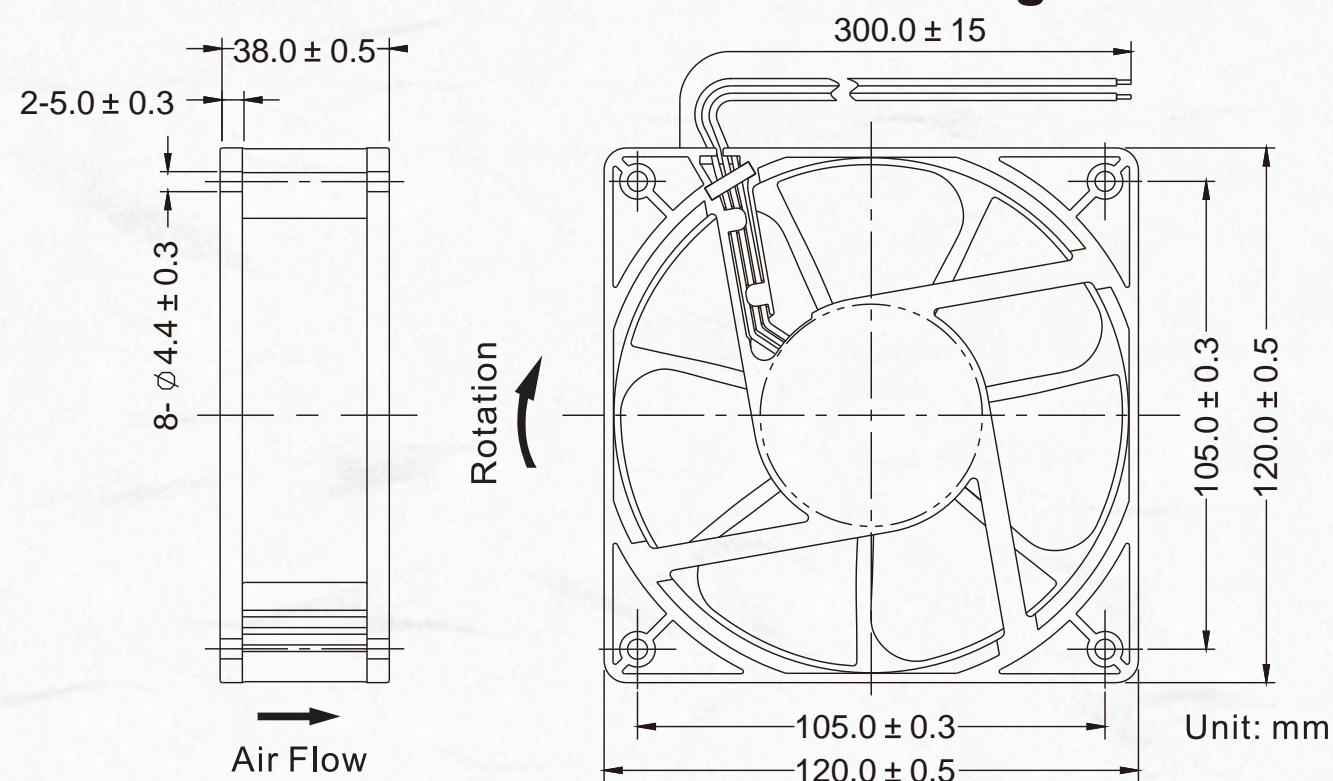
- Frame and Impeller : Thermal Plastic , UL 94V-0
- Lead Wires : UL Type
- Operation Temperature : -10°C~70°C  
35%~85%RH
- Storage Temperature : -40°C~80°C  
35%~85%RH
- 

Performance Curves



120 x 120 x 38 mm

Dimensions Drawing



Listed Model	Bearing System	Rated Voltage	Frequency	Operation Voltage	Rated Current	Power	Rated Speed	Air Flow	Air Pressure	Noise Level	Weight
		VAC	Hz	VAC	A	W	RPM	CFM	mmH <sub>2</sub> O	dBA	g
RJH1238B2	Ball	230	50/60	140~264	0.05	6.0	3,000	116.3	8.0	45	270
RJM1238B2				140~264	0.04	4.0	2,500	96.8	5.6	40	
RJL1238B2				140~264	0.03	2.5	2,000	77.4	3.3	35	
RJH1238B	Ball	115/230	50/60	85~264	0.12	8.0	3,000	116.3	8.0	45	
RJM1238B				85~264	0.10	6.0	2,500	96.8	5.6	40	
RJL1238B				85~264	0.08	4.0	2,000	77.4	3.3	35	



Main Application : Beverage/Vegetable Display

主要應用：飲料櫃/蔬果櫃



Energy Saving







Waterproof and Dustproof

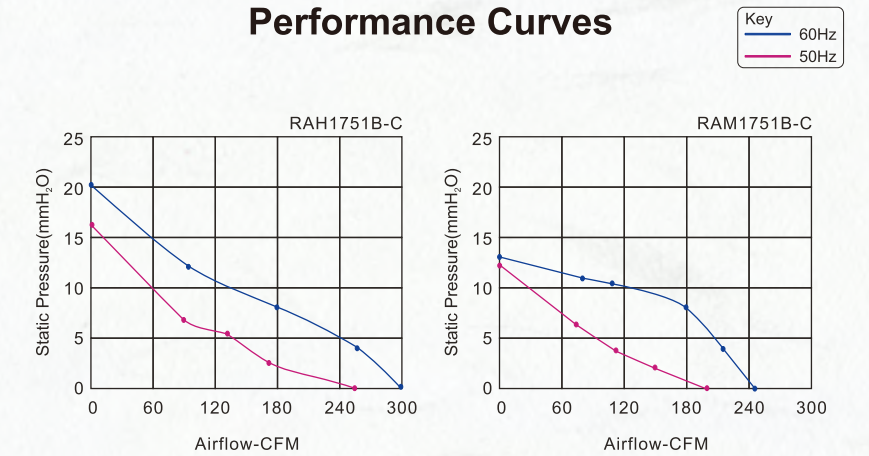


Low Noise

**General Specification**

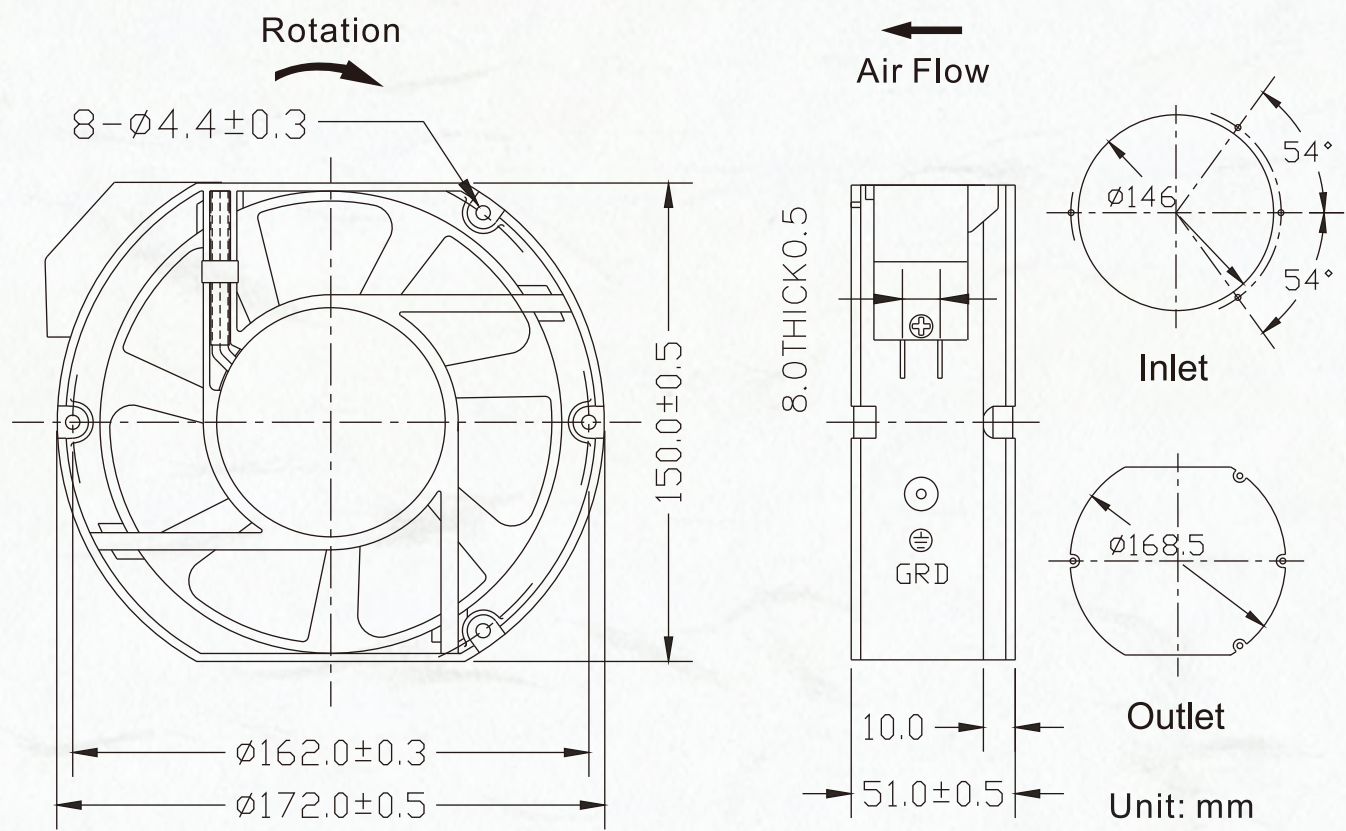
- Impeller : PBT UL94V-0 Reinforced Plastic
- Frame : Aluminum Alloy
- Terminals : 0.5mm
- Lead Wire : AWG#22 UL 1015(Optional)
- Motor : Capacitor-Run Induction Motor
- Operation Temperature : -10°C~+65°C  
35%~85%RH
- Storage Temperature : -40°C~75°C  
35%~85%RH
-    (220~240V)
-  (100~125V)

**Performance Curves**



172 x 150 x 51 mm

**Dimensions Drawing**



Model	Bearing System	Voltage VAC	Freq. Hz	Current A	Power W	Speed RPM	Noise dBA	Air Flow		Static Pressure (mmH <sub>2</sub> O)	Weight Gram
								M <sup>3</sup> /hr	CFM		
RAH1751B1-C	Ball	220~240	50/60	0.20/0.22	46/50	2850/3300	56/61	425/498	250/293	16.0/20.0	970
RAM1751B1-C		220~240	50/60	0.14/0.15	42/43	2500/2800	53/55	357/417	210/245	12.0/12.0	
RAH1751B2-C		100~125	50/60	0.35/0.40	46/50	2850/3300	56/61	425/498	250/293	16.0/20.0	
RAM1751B2-C		100~125	50/60	0.26/0.29	39/40	2500/2800	53/55	357/417	210/245	12.0/13.0	
RAH1751B1-C1	Ball	220~240	50/60	0.20/0.22	46/50	2850/3300	56/61	425/498	250/293	16.0/20.0	
RAM1751B1-C1		220~240	50/60	0.14/0.15	42/43	2500/2800	53/55	357/417	210/245	12.0/12.0	
RAH1751B2-C1		100~125	50/60	0.35/0.40	46/50	2850/3300	56/61	425/498	250/293	16.0/20.0	
RAM1751B2-C1		100~125	50/60	0.26/0.29	39/40	2500/2800	53/55	357/417	210/245	12.0/13.0	

# Company Location

## 服務據點



Head Office



Sales Office



Factory

