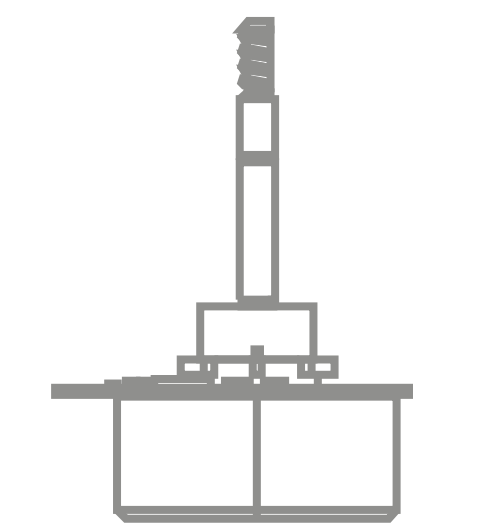
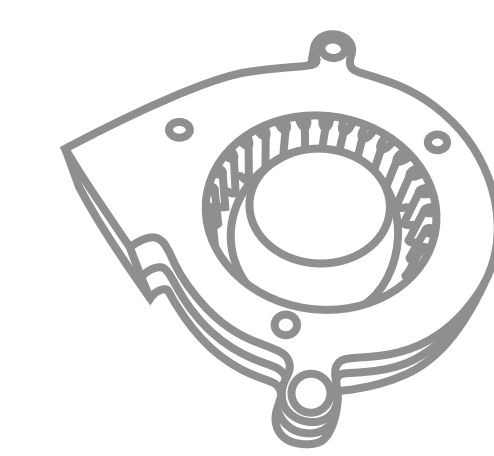
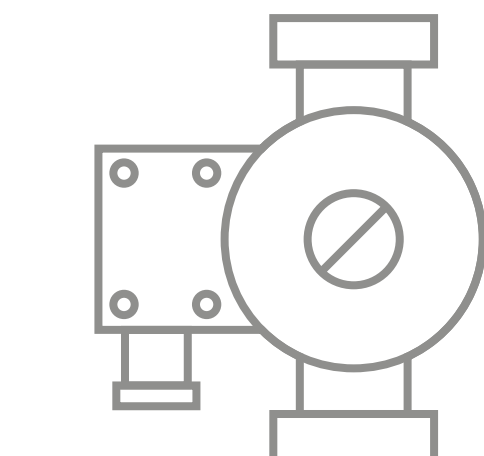
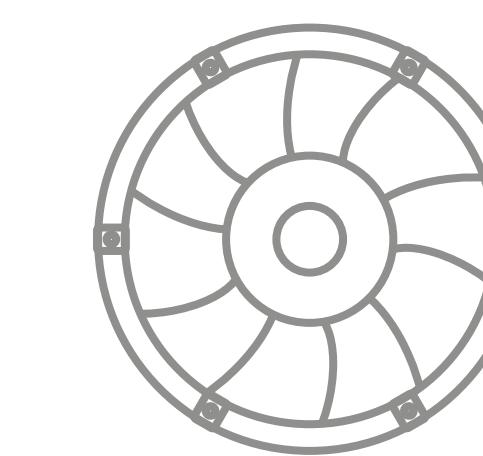
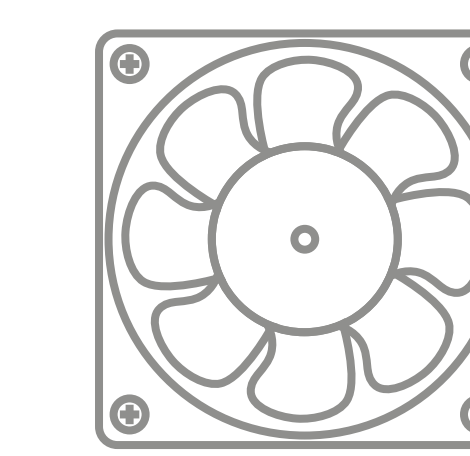




Medical Devices

醫療設備



info@x-fan.com

TEL : +886-7-2692559

FAX : +886-7-2692590



Vital Signs Monitor

生命體徵監測器

DC Axial Fan : 40x10/60x10mm



Electric bed

電動病床

DC Axial Fan : 30x10/60x25mm



Blood Analyzer

血液分析儀

DC Axial Fan : 60x15/80x15/80x25mm



CT Scanner

CT斷層掃描

DC Axial Fan : 40x10/80x15mm



Medical Devices

醫療設備

Ultrasound

超音波

DC Axial Fan : 25x10/50x15/120x25mm



Automated Nucleic Acid Purification

DNA自動純化核酸儀器

DC Axial Fan : 60x20mm



Electronic Moxibustion

灸用儀器

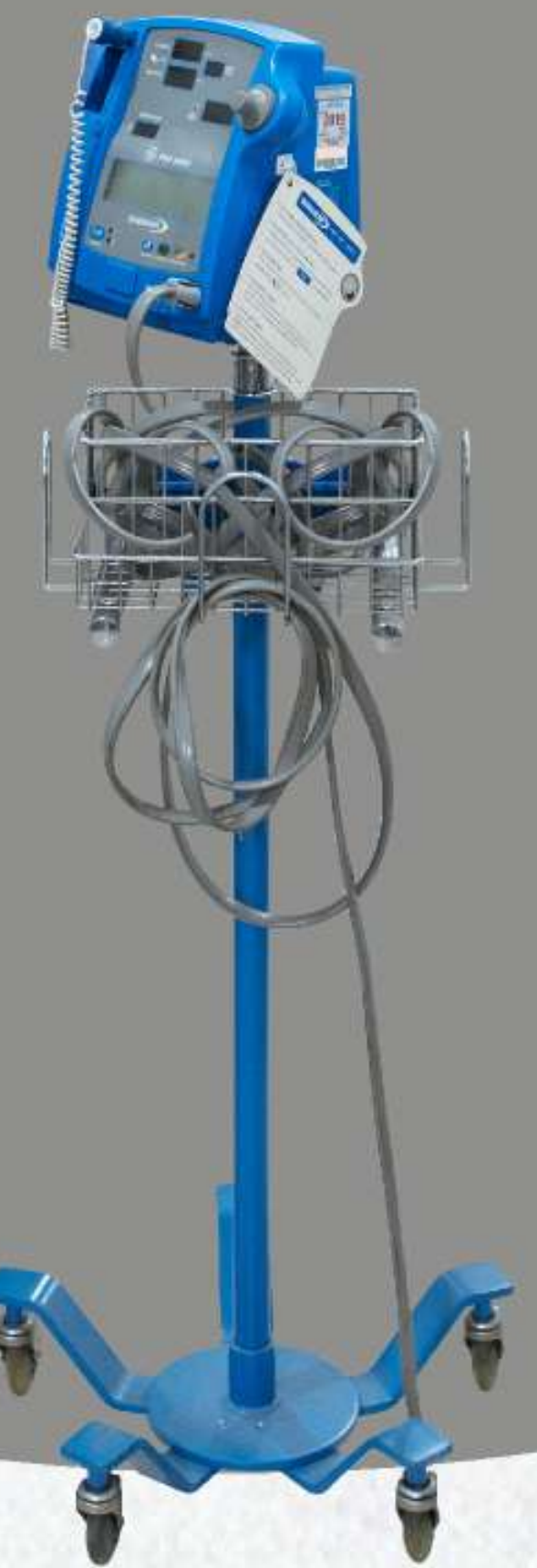
DC Axial Fan : 40x10/40x15/40x20mm



Ventilator

呼吸機

DC Axial Fan : 120x38mm



※Custom-made thermal solution are most welcome
本公司亦提供客製化服務，若有其他需求歡迎聯絡我們。

Contents 目錄

✿ Axial Fan

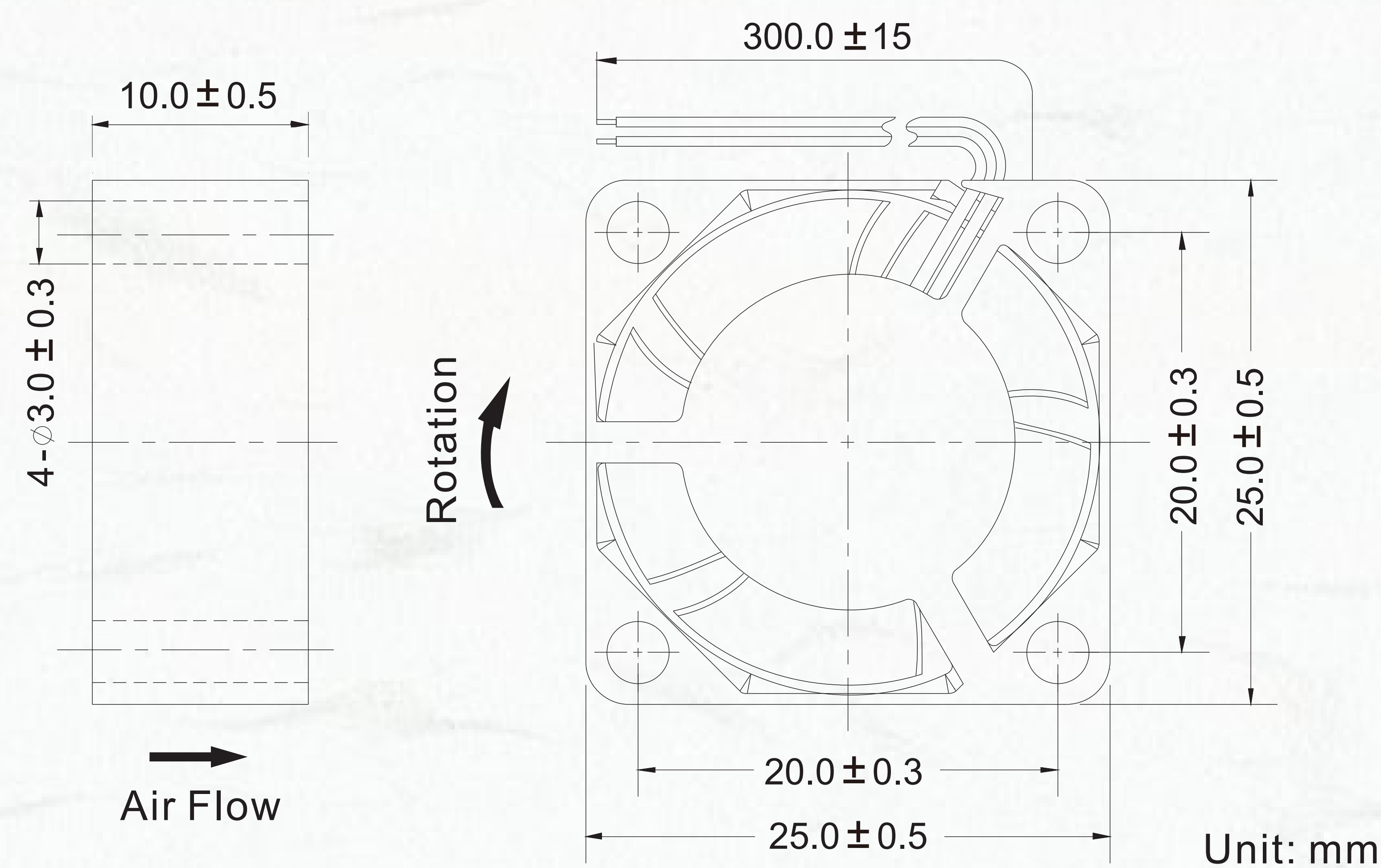


04	DC_2510	08	DC_4020	12	DC_6020	16	DC_1238
05	DC_3010	09	DC_5015	13	DC_6025		
06	DC_4010	10	DC_6010	14	DC_8015		
07	DC_4015	11	DC_6015	15	DC_1225		



25 x 25 x 10 mm

Dimensions Drawing

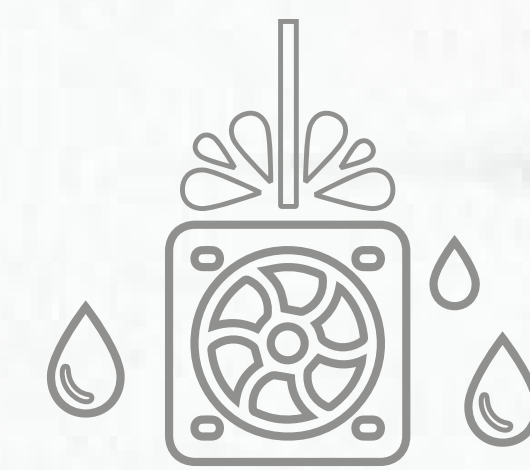


Main Application : Ultrasound

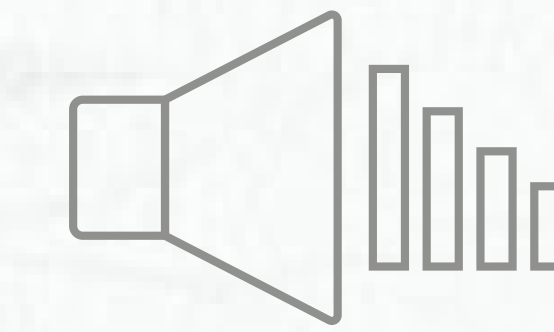
主要應用：超音波



Energy Saving



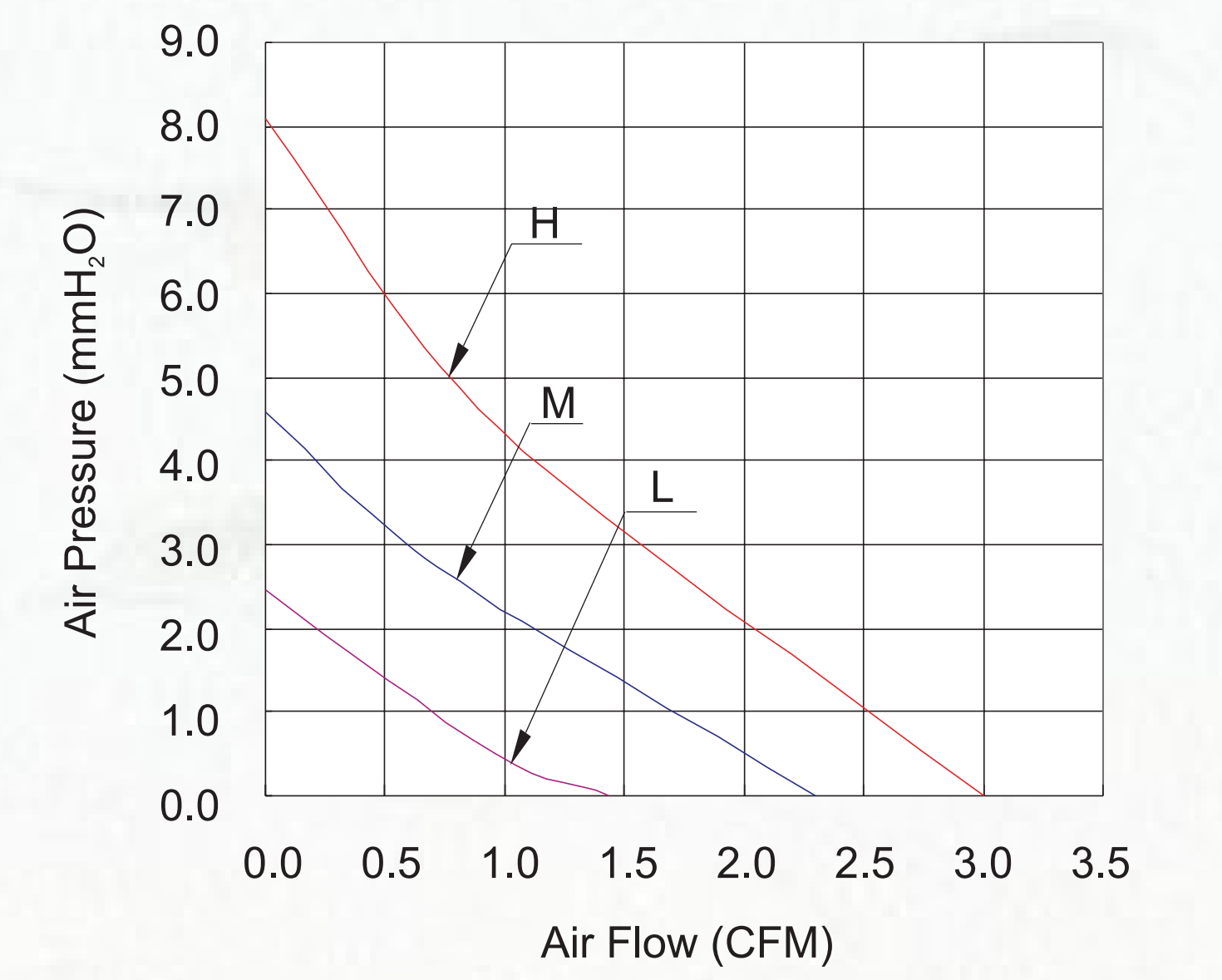
Waterproof
and Dustproof



Low Noise

- **General Specification**
- Frame and Impeller : Thermal Plastic , UL 94V-0
- Lead Wires : UL Type
(+) : Red (-) : Black
- Operation Temperature : -10°C~70°C
35%~85%RH
- Storage Temperature : -40°C~80°C
35%~85%RH
-

Performance Curves

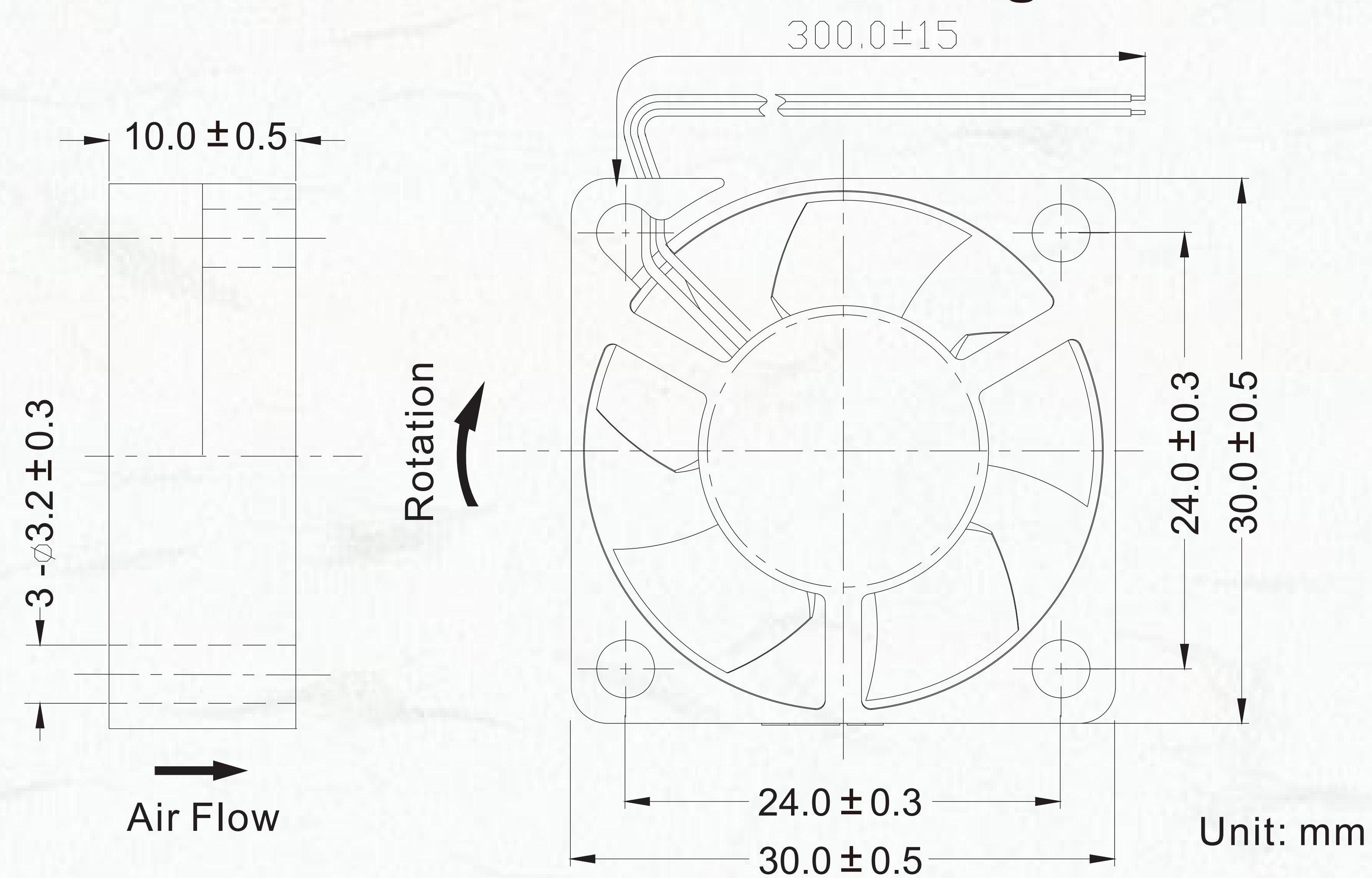


Listed Model	Bearing System	Rated Voltage	Operation Voltage	Rated Current	Rated Speed	Air Flow	Air Pressure	Noise Level	Available Features (Optional)				Weight
		VDC	VDC	A	RPM	CFM	mmH ₂ O	dBA	Tachometer Output	Rotation Detector	Thermal Control	Pulse Width Modulation	g
RDH2510S5	Sleeve	5	4.0~5.75	0.16	13,000	3.0	8.1	30	•	•			7
RDM2510S5			4.0~5.75	0.12	10,000	2.3	4.6	23	•	•			
RDL2510S5			4.0~5.75	0.08	7,000	1.4	2.5	19	•	•			
RDH2510B5	Ball		4.0~5.75	0.16	13,000	3.0	8.1	30	•	•			
RDM2510B5			4.0~5.75	0.12	10,000	2.3	4.6	23	•	•			
RDL2510B5			4.0~5.75	0.08	7,000	1.4	2.5	19	•	•			
RDH2510S	Sleeve	12	6.0~13.8	0.10	13,000	3.0	8.1	30	•	•			
RDM2510S			6.0~13.8	0.08	10,000	2.3	4.6	23	•	•			
RDL2510S			6.0~13.8	0.06	7,000	1.4	2.5	19	•	•			
RDH2510B	Ball		6.0~13.8	0.10	13,000	3.0	8.1	30	•	•			
RDM2510B			6.0~13.8	0.08	10,000	2.3	4.6	23	•	•			
RDL2510B			6.0~13.8	0.06	7,000	1.4	2.5	19	•	•			



30 x 30 x 10 mm

Dimensions Drawing



Main Application : Electric bed

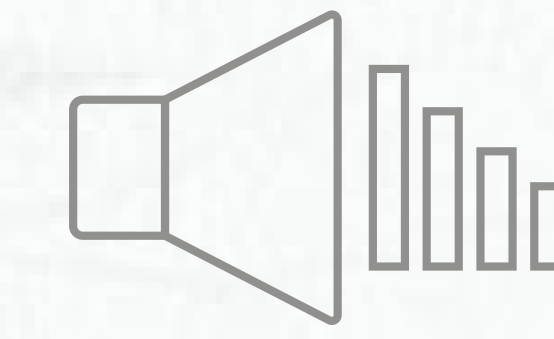
主要應用：電動病床



Energy Saving



Waterproof and Dustproof

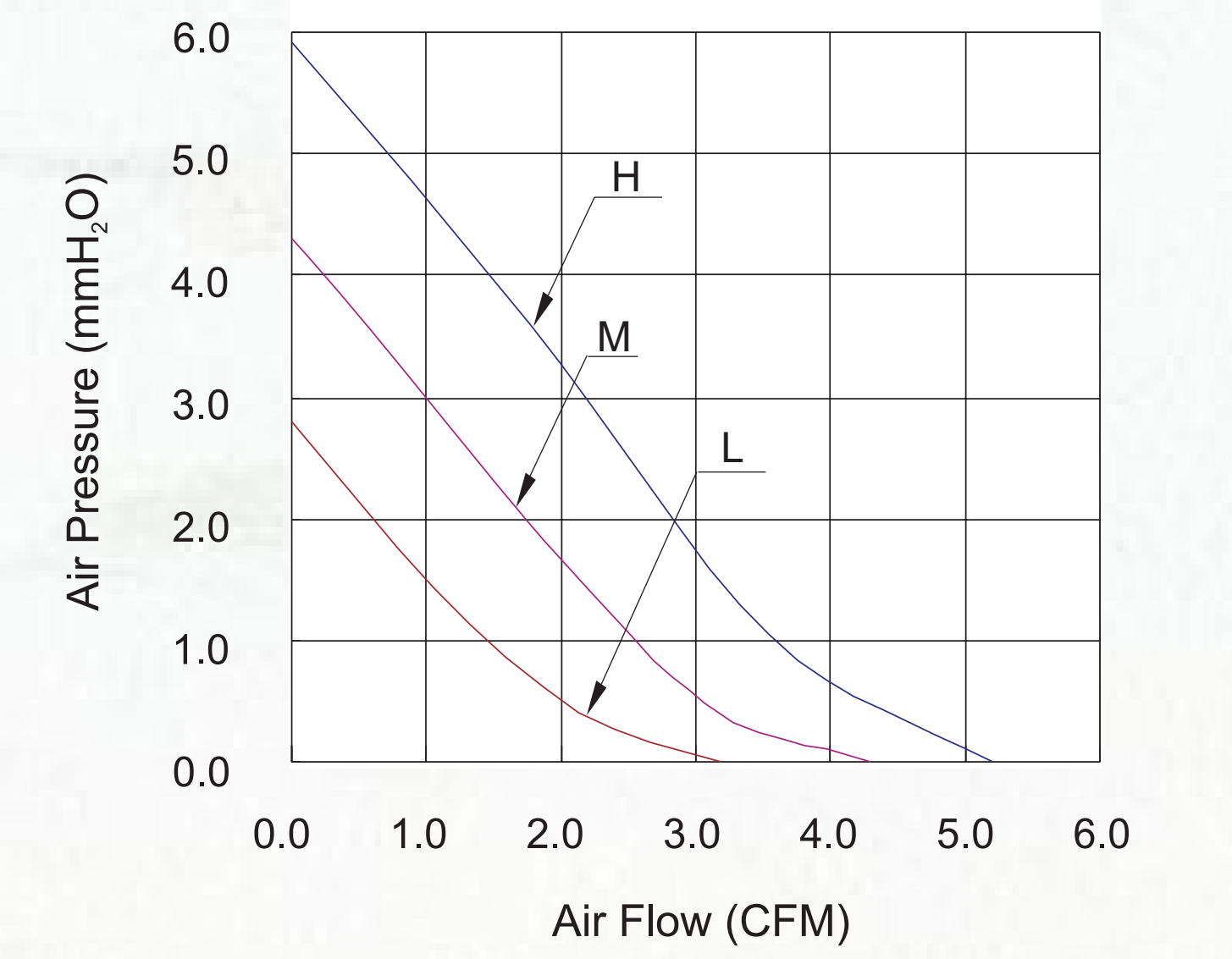


Low Noise

General Specification

- Frame and Impeller : Thermal Plastic , UL 94V-0
- Lead Wires : UL Type
(+) : Red (-) : Black
- Operation Temperature : -10°C~70°C
35%~85%RH
- Storage Temperature : -40°C~80°C
35%~85%RH
-

Performance Curves

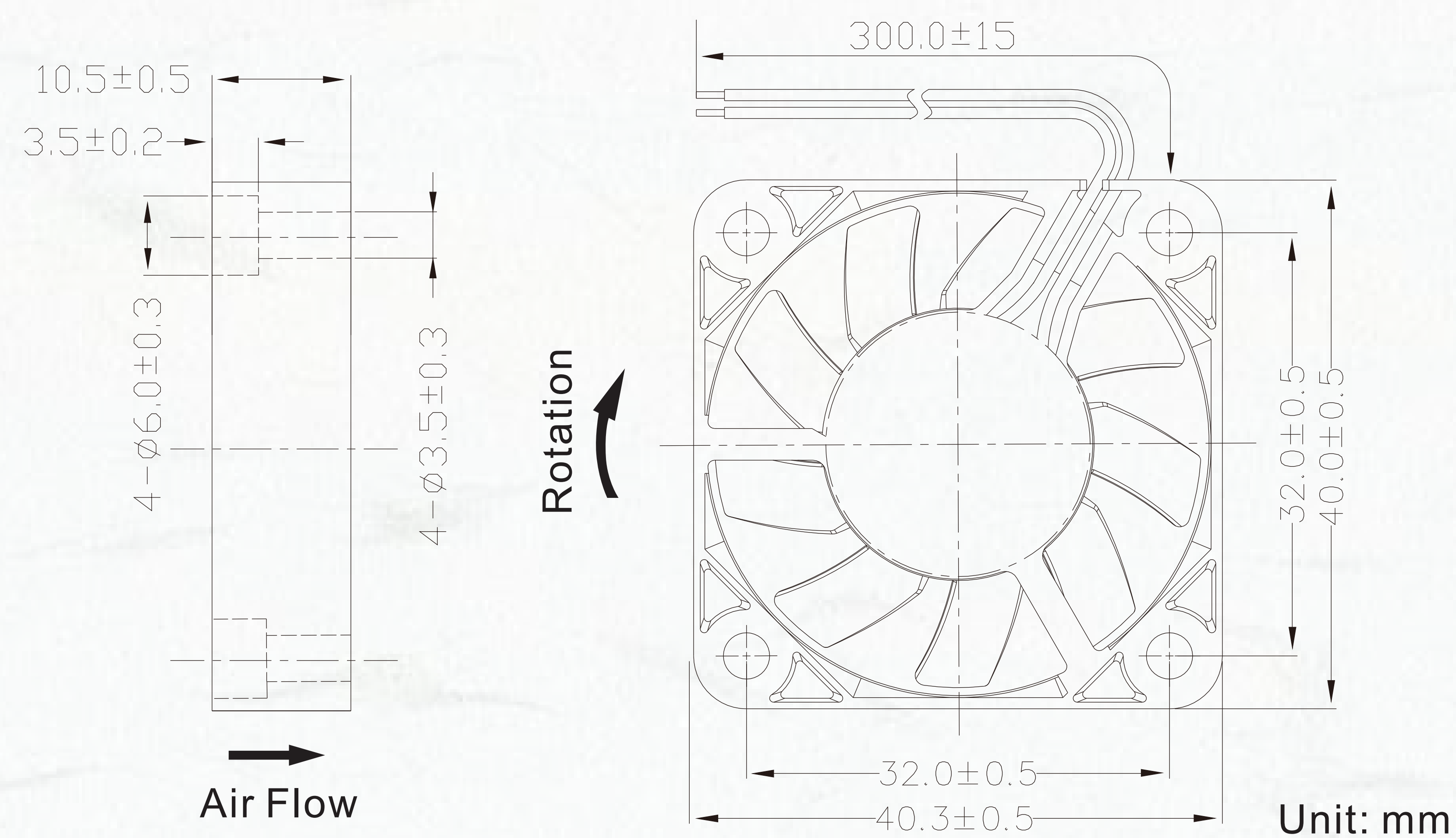


Listed Model	Bearing System	Rated Voltage	Operation Voltage	Rated Current	Rated Speed	Air Flow	Air Pressure	Noise Level	Available Features (Optional)				Weight	
		VDC	VDC	A	RPM	CFM	mmH ₂ O	dBA	Tachometer Output	Rotation Detector	Thermal Control	Pulse Width Modulation	g	
RDH3010S5	Sleeve	5	4.0~5.75	0.20	11,000	5.2	5.9	32	•	•			8.5	
RDM3010S5			4.0~5.75	0.14	9,000	4.3	4.3	27	•	•				
RDL3010S5			4.0~5.75	0.12	7,000	3.2	2.8	23	•	•				
RDH3010B5			Ball	4.0~5.75	0.20	11,000	5.2	5.9	32	•	•			
RDM3010B5				4.0~5.75	0.14	9,000	4.3	4.3	27	•	•			
RDL3010B5	4.0~5.75	0.12		7,000	3.2	2.8	23	•	•					
RDH3010S	Sleeve	12		6.0~13.8	0.10	11,000	5.2	5.9	32	•	•			
RDM3010S			6.0~13.8	0.09	9,000	4.3	4.3	27	•	•				
RDL3010S			6.0~13.8	0.06	7,000	3.2	2.8	23	•	•				
RDH3010B			Ball	6.0~13.8	0.10	11,000	5.2	5.9	32	•	•			
RDM3010B				6.0~13.8	0.09	9,000	4.3	4.3	27	•	•			
RDL3010B	6.0~13.8	0.06		7,000	3.2	2.8	23	•	•					



40 x 40 x 10 mm

Dimensions Drawing



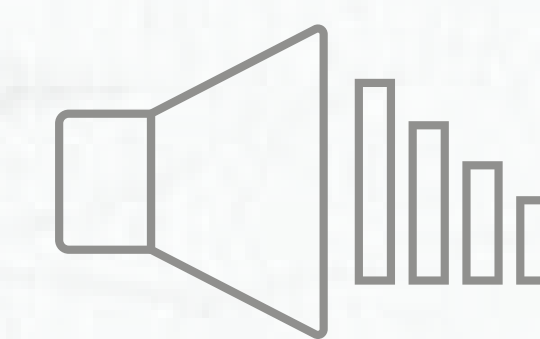
Main Application : CT Scanner/Vital Signs Monitor/
Electronic Moxibustion
主要應用：CT斷層掃描/生命體徵監測器/灸用儀器



Energy Saving



Waterproof
and Dustproof

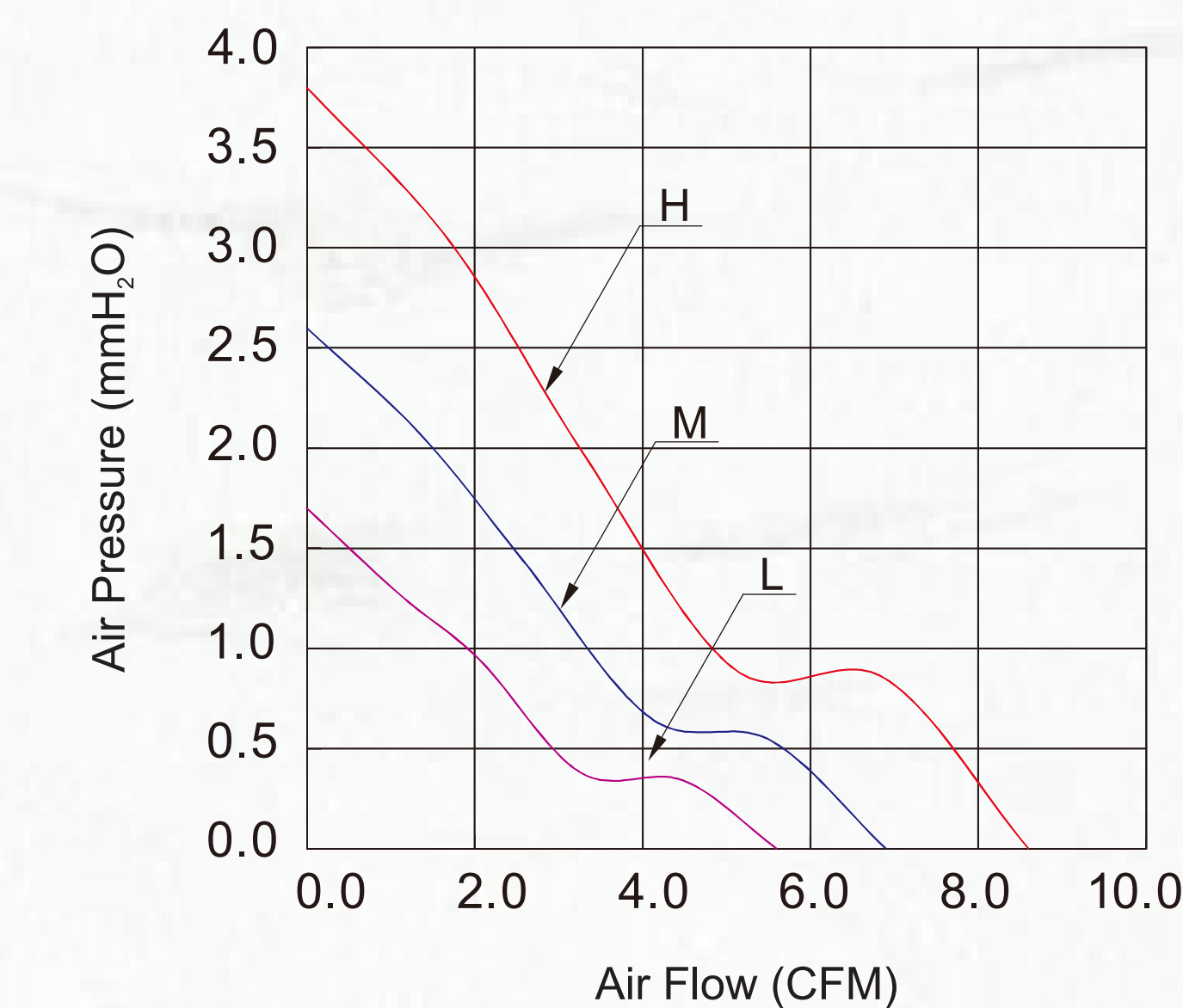


Low Noise

General Specification

- Frame and Impeller : Thermal Plastic , UL 94V-0
- Lead Wires : UL Type
(+) : Red (-) : Black
- Operation Temperature : -10°C~70°C
35%~85%RH
- Storage Temperature : -40°C~80°C
35%~85%RH
- UL US CE

Performance Curves

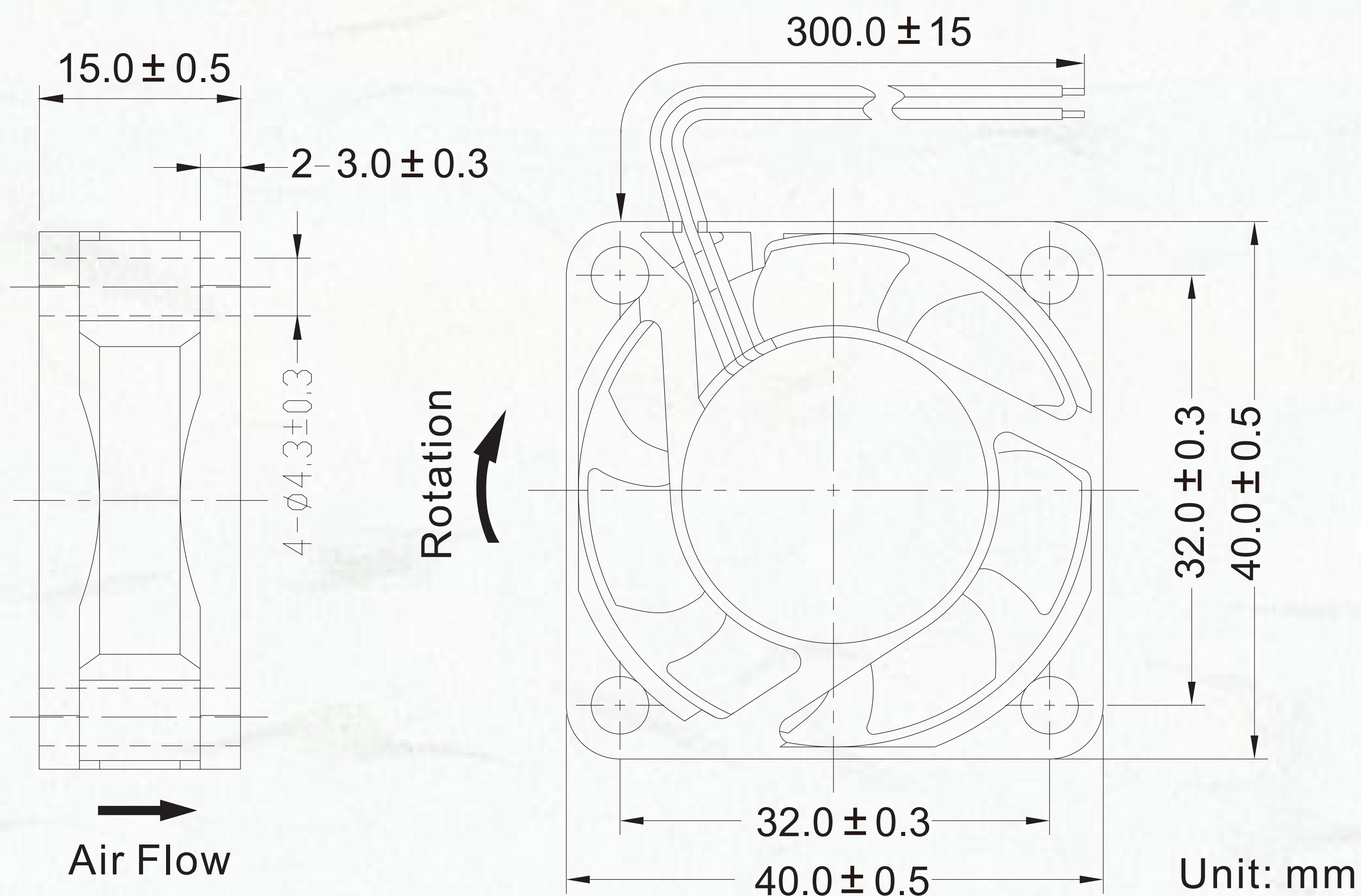


Listed Model	Bearing System	Rated Voltage	Operation Voltage	Rated Current	Rated Speed	Air Flow	Air Pressure	Noise Level	Available Features (Optional)				Weight	
		VDC	VDC	A	RPM	CFM	mmH ₂ O	dBA	Tachometer Output	Rotation Detector	Thermal Control	Pulse Width Modulation	g	
RDH4010S5	Sleeve	5	3.5~5.75	0.20	6,500	8.6	3.8	32	•	•			16	
RDM4010S5			3.5~5.75	0.16	5,500	6.9	2.6	28	•	•				
RDL4010S5			3.5~5.75	0.13	4,500	5.6	1.7	25	•	•				
RDH4010B5			Ball	3.5~5.75	0.20	6,500	8.6	3.8	32	•	•			
RDM4010B5				3.5~5.75	0.16	5,500	6.9	2.6	28	•	•			
RDL4010B5				3.5~5.75	0.13	4,500	5.6	1.7	25	•	•			
RDH4010S1	Sleeve	12	6.0~13.8	0.09	6,500	8.6	3.8	32	•	•				
RDM4010S1			6.0~13.8	0.07	5,500	6.9	2.6	28	•	•				
RDL4010S1			7.0~13.8	0.06	4,500	5.6	1.7	25	•	•				
RDH4010B1			Ball	6.0~13.8	0.09	6,500	8.6	3.8	32	•	•			
RDM4010B1				6.0~13.8	0.07	5,500	6.9	2.6	28	•	•			
RDL4010B1				7.0~13.8	0.06	4,500	5.6	1.7	25	•	•			
RDH4010S2	Sleeve	24	12.0~27.6	0.09	6,500	8.6	3.8	32	•	•				
RDM4010S2			12.0~27.6	0.06	5,500	6.9	2.6	28	•	•				
RDL4010S2			16.0~27.6	0.05	4,500	5.6	1.7	25	•	•				
RDH4010B2			Ball	12.0~27.6	0.09	6,500	8.6	3.8	32	•	•			
RDM4010B2				12.0~27.6	0.06	5,500	6.9	2.6	28	•	•			
RDL4010B2				16.0~27.6	0.05	4,500	5.6	1.7	25	•	•			



40 x 40 x 15 mm

Dimensions Drawing

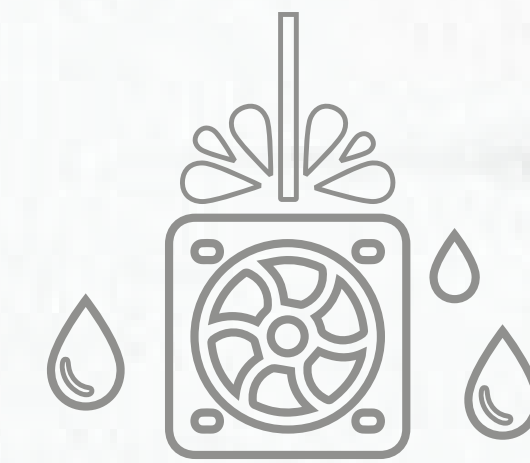


Main Application : Electronic Moxibustion

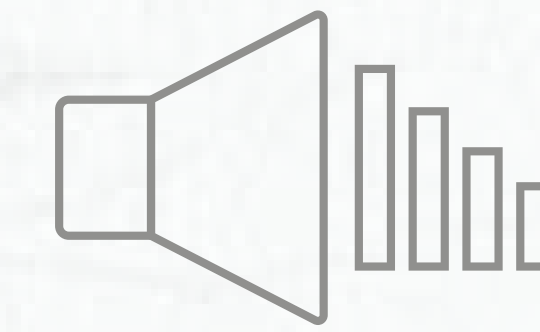
主要應用：灸用儀器



Energy Saving



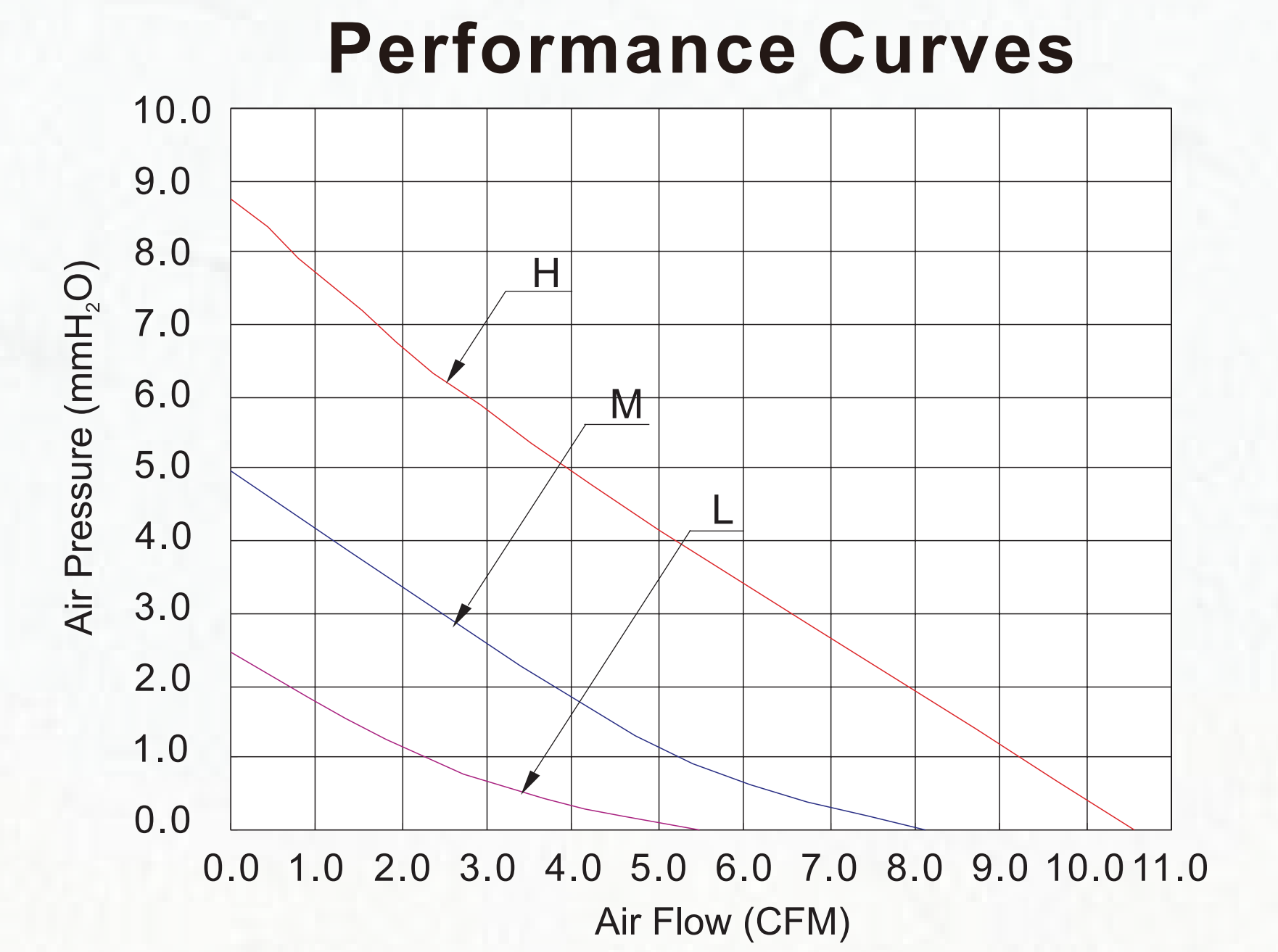
Waterproof and Dustproof



Low Noise

General Specification

- Frame and Impeller : Thermal Plastic , UL 94V-0
- Lead Wires : UL Type
(+) : Red (-) : Black
- Operation Temperature : -10°C~70°C
35%~85%RH
- Storage Temperature : -40°C~80°C
35%~85%RH
-

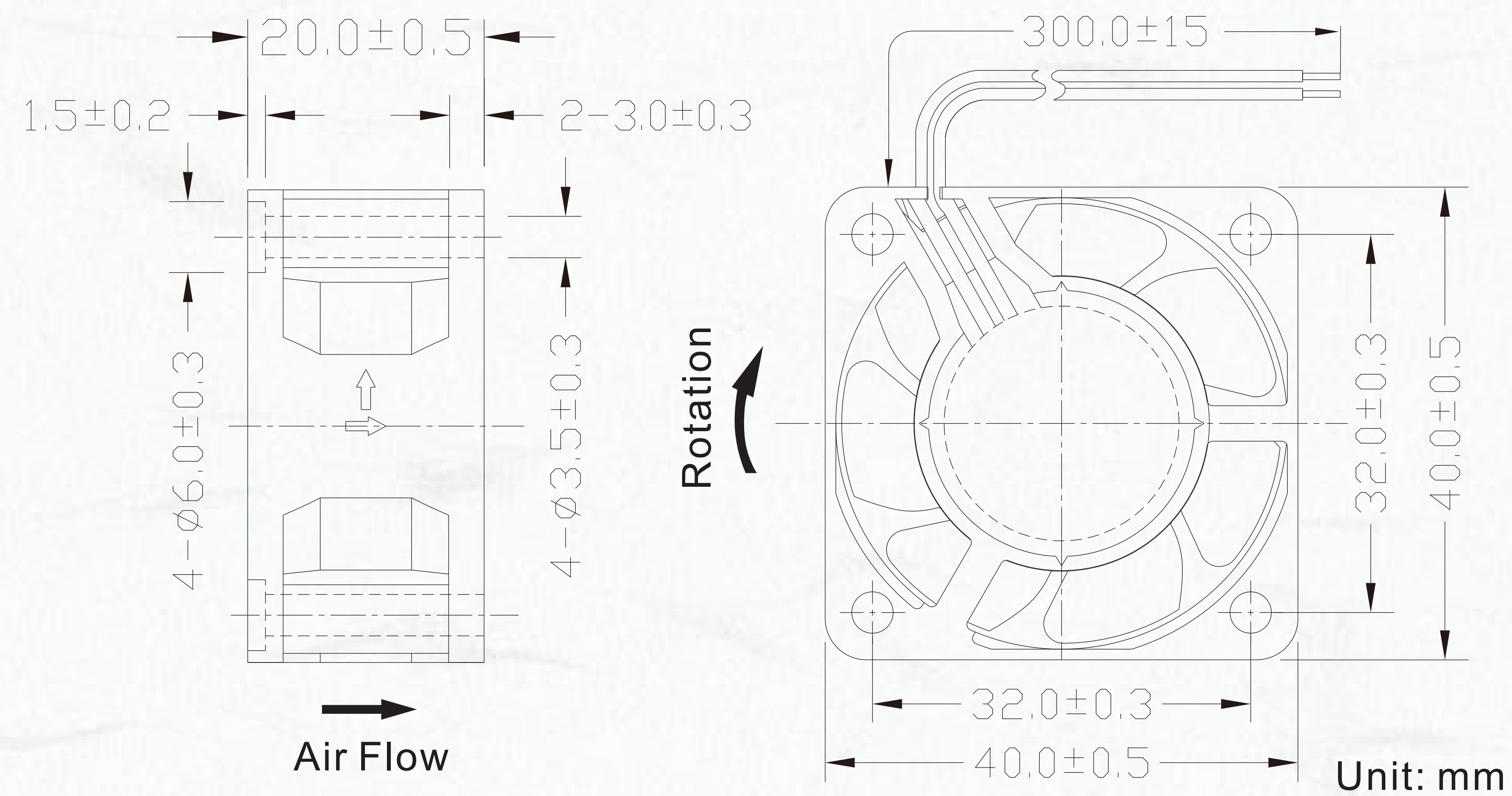


Listed Model	Bearing System	Rated Voltage	Operation Voltage	Rated Current	Rated Speed	Air Flow	Air Pressure	Noise Level	Available Features (Optional)				Weight
		VDC	VDC	A	RPM	CFM	mmH ₂ O	dBA	Tachometer Output	Rotation Detector	Thermal Control	Pulse Width Modulation	g
RDH4015S1	Sleeve	12	6.0~13.8	0.26	8,500	10.6	8.8	37	•	•			23.5
RDM4015S1			6.0~13.8	0.18	6,500	8.1	5.0	30	•	•			
RDL4015S1			6.0~13.8	0.10	4,500	5.5	2.5	21	•	•			
RDH4015B1	Ball	12	6.0~13.8	0.26	8,500	10.6	8.8	37	•	•			
RDM4015B1			6.0~13.8	0.18	6,500	8.1	5.0	30	•	•			
RDL4015B1			6.0~13.8	0.10	4,500	5.5	2.5	21	•	•			
RDH4015C1	One Ball One Sleeve	12	6.0~13.8	0.26	8,500	10.6	8.8	37	•	•			
RDM4015C1			6.0~13.8	0.18	6,500	8.1	5.0	30	•	•			
RDL4015C1			6.0~13.8	0.10	4,500	5.5	2.5	21	•	•			



40 x 40 x 20 mm

Dimensions Drawing

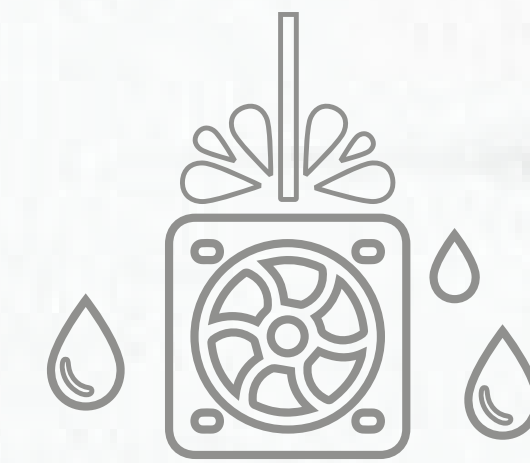


Main Application : Electronic Moxibustion

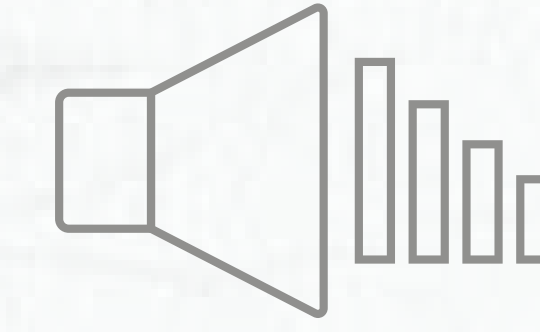
主要應用：灸用儀器



Energy Saving



Waterproof
and Dustproof

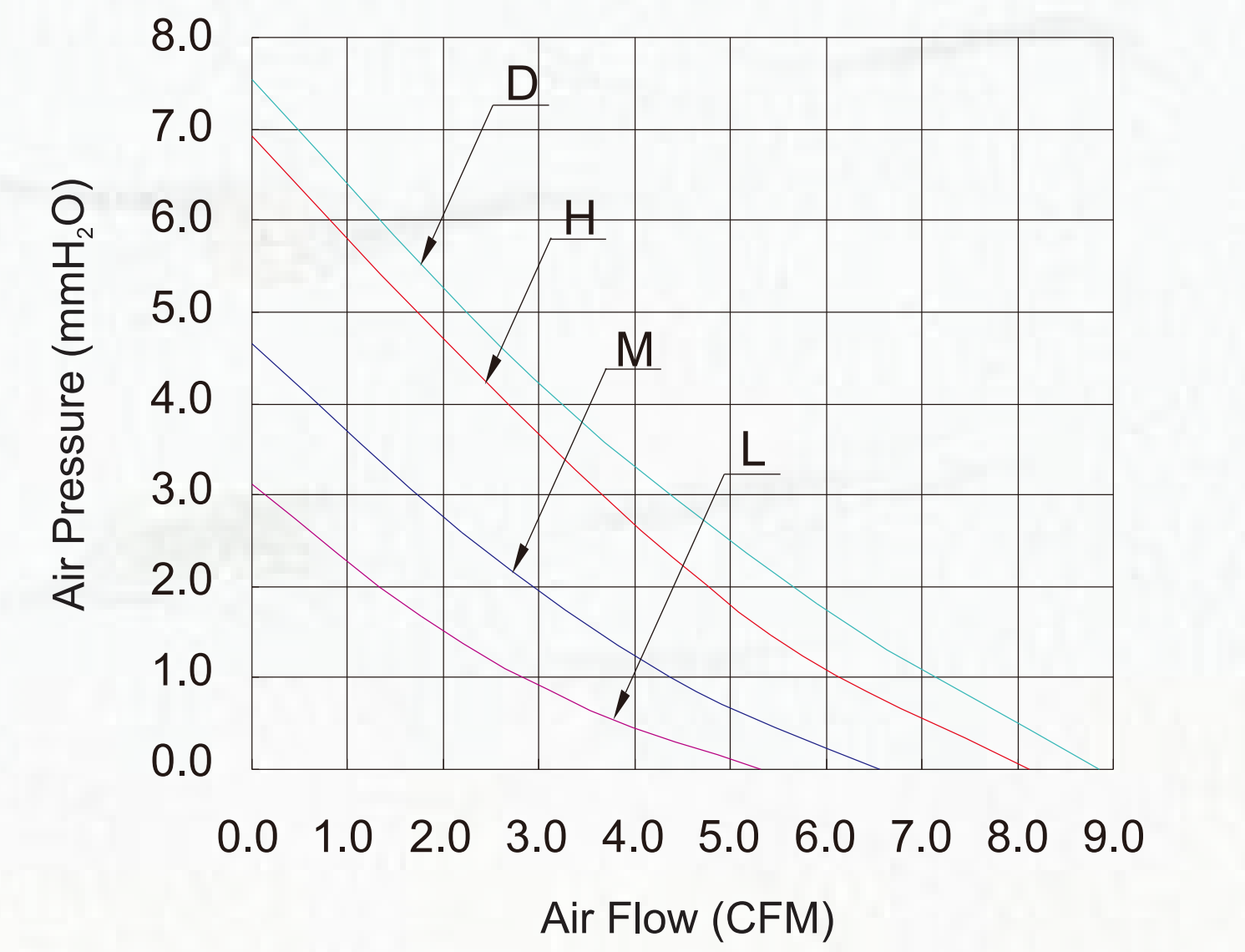


Low Noise

General Specification

- Frame and Impeller : Thermal Plastic , UL 94V-0
- Lead Wires : UL Type
(+) : Red (-) : Black
- Operation Temperature : -10°C~70°C
35%~85%RH
- Storage Temperature : -40°C~80°C
35%~85%RH
-

Performance Curves

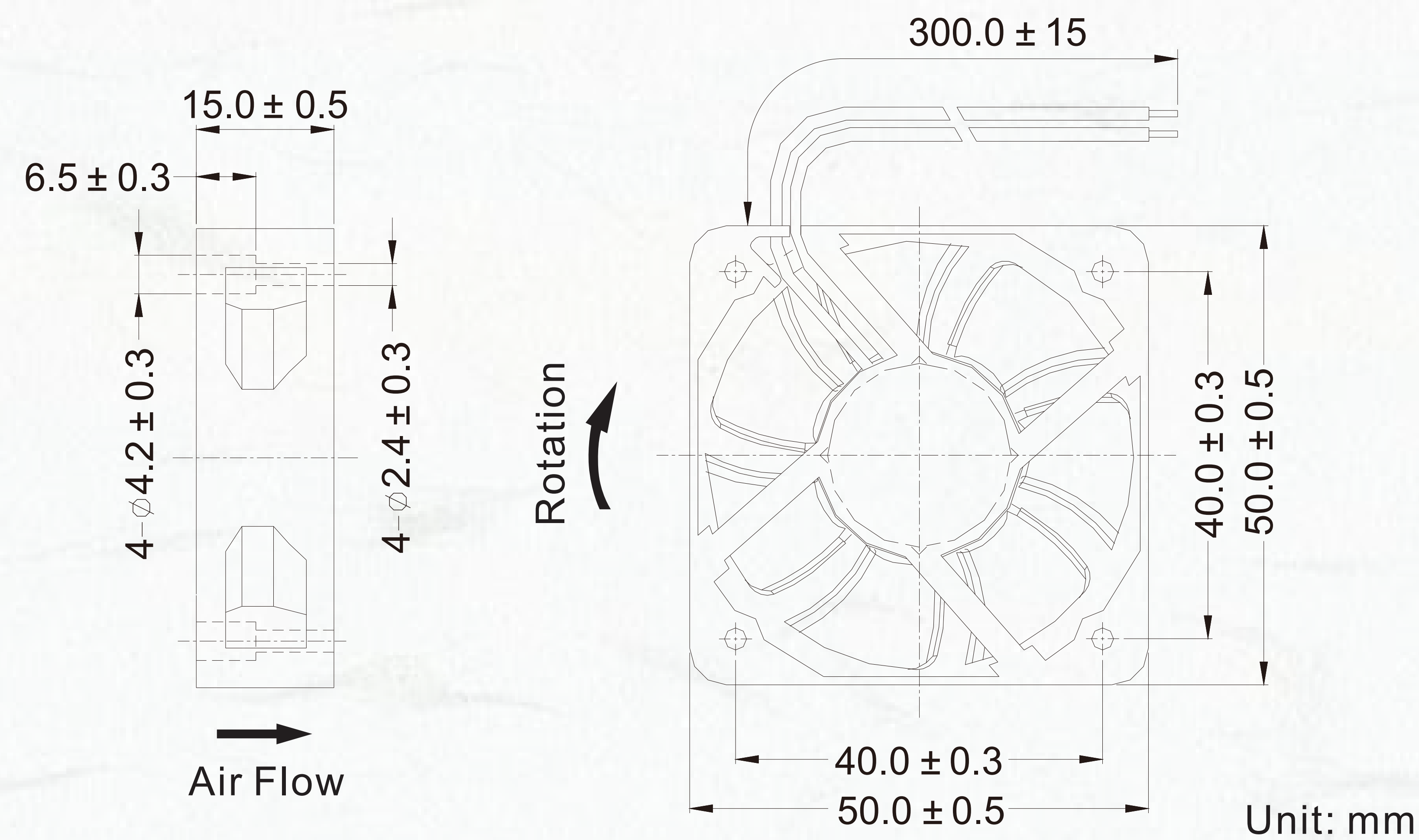


Listed Model	Bearing System	Rated Voltage	Operation Voltage	Rated Current	Rated Speed	Air Flow	Air Pressure	Noise Level	Available Features (Optional)				Weight
		VDC	VDC	A	RPM	CFM	mmH ₂ O	dBA	Tachometer Output	Rotation Detector	Thermal Control	Pulse Width Modulation	g
RDD4020S5	Sleeve	5	3.5~5.75	0.40	8,000	8.9	7.5	33	•	•			29
RDH4020S5			3.5~5.75	0.28	7,500	8.1	6.9	31	•	•			
RDM4020S5			3.5~5.75	0.25	6,200	6.6	4.7	27	•	•			
RDL4020S5			3.5~5.75	0.20	5,000	5.3	3.1	23	•	•			
RDD4020B5	Ball		3.5~5.75	0.40	8,000	8.9	7.5	33	•	•			
RDH4020B5			3.5~5.75	0.28	7,500	8.1	6.9	31	•	•			
RDM4020B5			3.5~5.75	0.25	6,200	6.6	4.7	27	•	•			
RDL4020B5			3.5~5.75	0.20	5,000	5.3	3.1	23	•	•			
RDH4020S	Sleeve	12	6.0~13.8	0.12	8,000	8.9	7.5	33	•	•			
RDH4020S			6.0~13.8	0.12	7,500	8.1	6.9	31	•	•			
RDM4020S			6.0~13.8	0.10	6,200	6.6	4.7	27	•	•			
RDL4020S			6.0~13.8	0.06	5,000	5.3	3.1	23	•	•			
RDH4020B	Ball		6.0~13.8	0.12	8,000	8.9	7.5	33	•	•			
RDH4020B			6.0~13.8	0.12	7,500	8.1	6.9	31	•	•			
RDM4020B			6.0~13.8	0.10	6,200	6.6	4.7	27	•	•			
RDL4020B			6.0~13.8	0.06	5,000	5.3	3.1	23	•	•			
RDD4020S2	Sleeve	24	12.0~27.6	0.09	8,000	8.9	7.5	33	•	•			
RDH4020S2			12.0~27.6	0.07	7,500	8.1	6.9	31	•	•			
RDM4020S2			12.0~27.6	0.06	6,200	6.6	4.7	27	•	•			
RDL4020S2			12.0~27.6	0.05	5,000	5.3	3.1	23	•	•			
RDD4020B2	Ball		12.0~27.6	0.09	8,000	8.9	7.5	33	•	•			
RDH4020B2			12.0~27.6	0.07	7,500	8.1	6.9	31	•	•			
RDM4020B2			12.0~27.6	0.06	6,200	6.6	4.7	27	•	•			
RDL4020B2			12.0~27.6	0.05	5,000	5.3	3.1	23	•	•			



50 x 50 x 15 mm

Dimensions Drawing



Main Application : Ultrasound

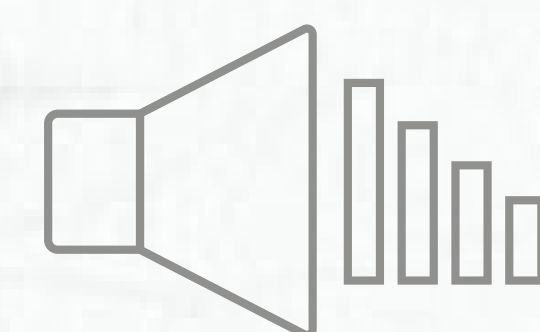
主要應用：超音波



Energy Saving



Waterproof and Dustproof

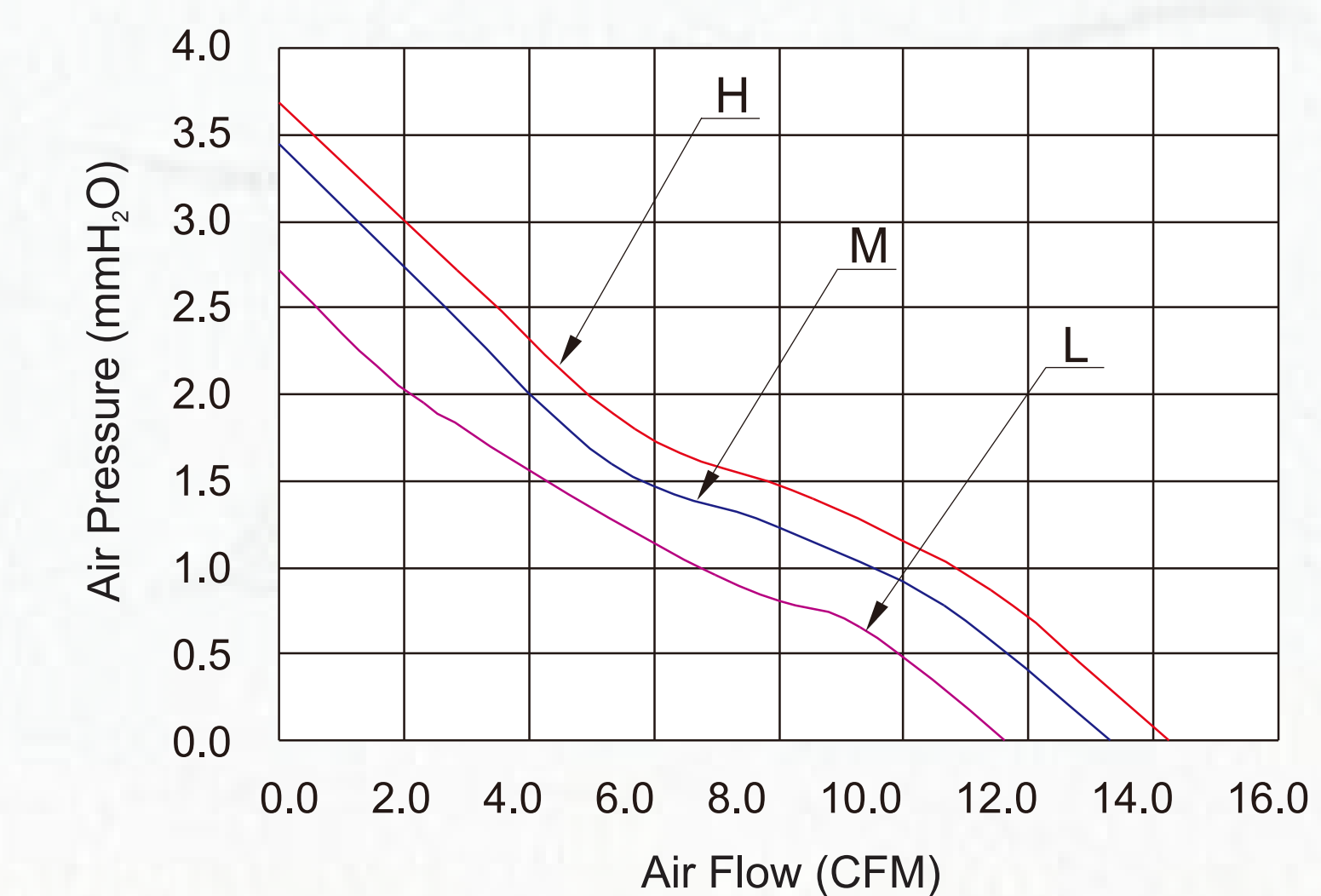


Low Noise

General Specification

- Frame and Impeller : Thermal Plastic , UL 94V-0
- Lead Wires : UL Type
(+) : Red (-) : Black
- Operation Temperature : -10°C~70°C
35%~85%RH
- Storage Temperature : -40°C~80°C
35%~85%RH
-

Performance Curves

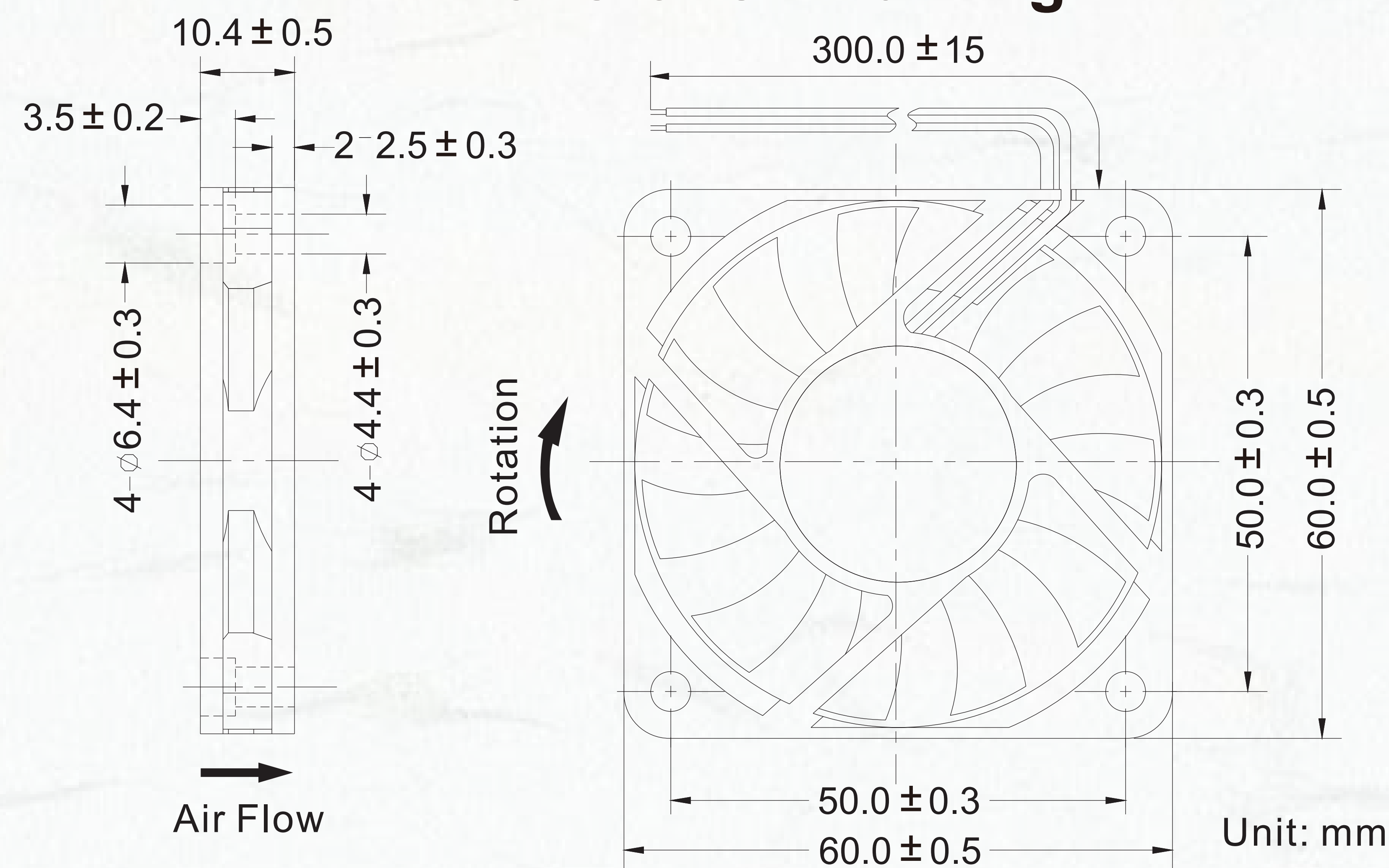


Listed Model	Bearing System	Rated Voltage	Operation Voltage	Rated Current	Rated Speed	Air Flow	Air Pressure	Noise Level	Available Features (Optional)				Weight	
		VDC	VDC	A	RPM	CFM	mmH ₂ O	dBA	Tachometer Output	Rotation Detector	Thermal Control	Pulse Width Modulation	g	
RDH5015S5	Sleeve	5	3.5~5.75	0.33	5,500	14.2	3.6	31	•	•			31	
RDM5015S5			3.5~5.75	0.25	5,000	13.3	3.4	27	•	•				
RDL5015S5			3.5~5.75	0.20	4,500	11.6	2.7	25	•	•				
RDH5015B5			Ball	3.5~5.75	0.33	5,500	14.2	3.6	31	•	•			
RDM5015B5				3.5~5.75	0.25	5,000	13.3	3.4	27	•	•			
RDL5015B5				3.5~5.75	0.20	4,500	11.6	2.7	25	•	•			
RDH5015S	Sleeve	12	6.0~13.8	0.16	5,500	14.2	3.6	31	•	•			31	
RDM5015S			6.0~13.8	0.14	5,000	13.3	3.4	27	•	•				
RDL5015S			6.0~13.8	0.12	4,500	11.6	2.7	25	•	•				
RDH5015B			Ball	6.0~13.8	0.16	5,500	14.2	3.6	31	•	•			
RDM5015B				6.0~13.8	0.14	5,000	13.3	3.4	27	•	•			
RDL5015B				6.0~13.8	0.12	4,500	11.6	2.7	25	•	•			
RDH5015S2	Sleeve	24	12.0~27.6	0.10	5,500	14.2	3.6	31	•	•			31	
RDM5015S2			12.0~27.6	0.08	5,000	13.3	3.4	27	•	•				
RDL5015S2			12.0~27.6	0.06	4,500	11.6	2.7	25	•	•				
RDH5015B2			Ball	12.0~27.6	0.10	5,500	14.2	3.6	31	•	•			
RDM5015B2				12.0~27.6	0.08	5,000	13.3	3.4	27	•	•			
RDL5015B2				12.0~27.6	0.06	4,500	11.6	2.7	25	•	•			



60 x 60 x 10 mm

Dimensions Drawing

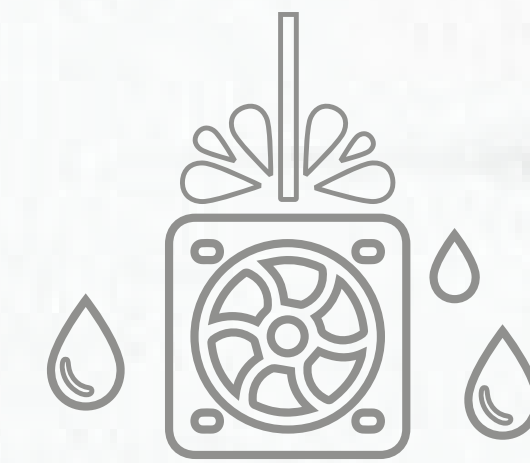


Main Application : Vital Signs Monitor

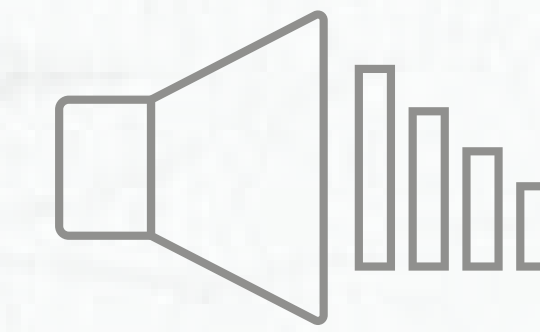
主要應用：生命體徵監測器



Energy Saving



Waterproof and Dustproof



Low Noise

General Specification

Frame and Impeller : Thermal Plastic , UL 94V-0

Lead Wires : UL Type

(+) : Red (-) : Black

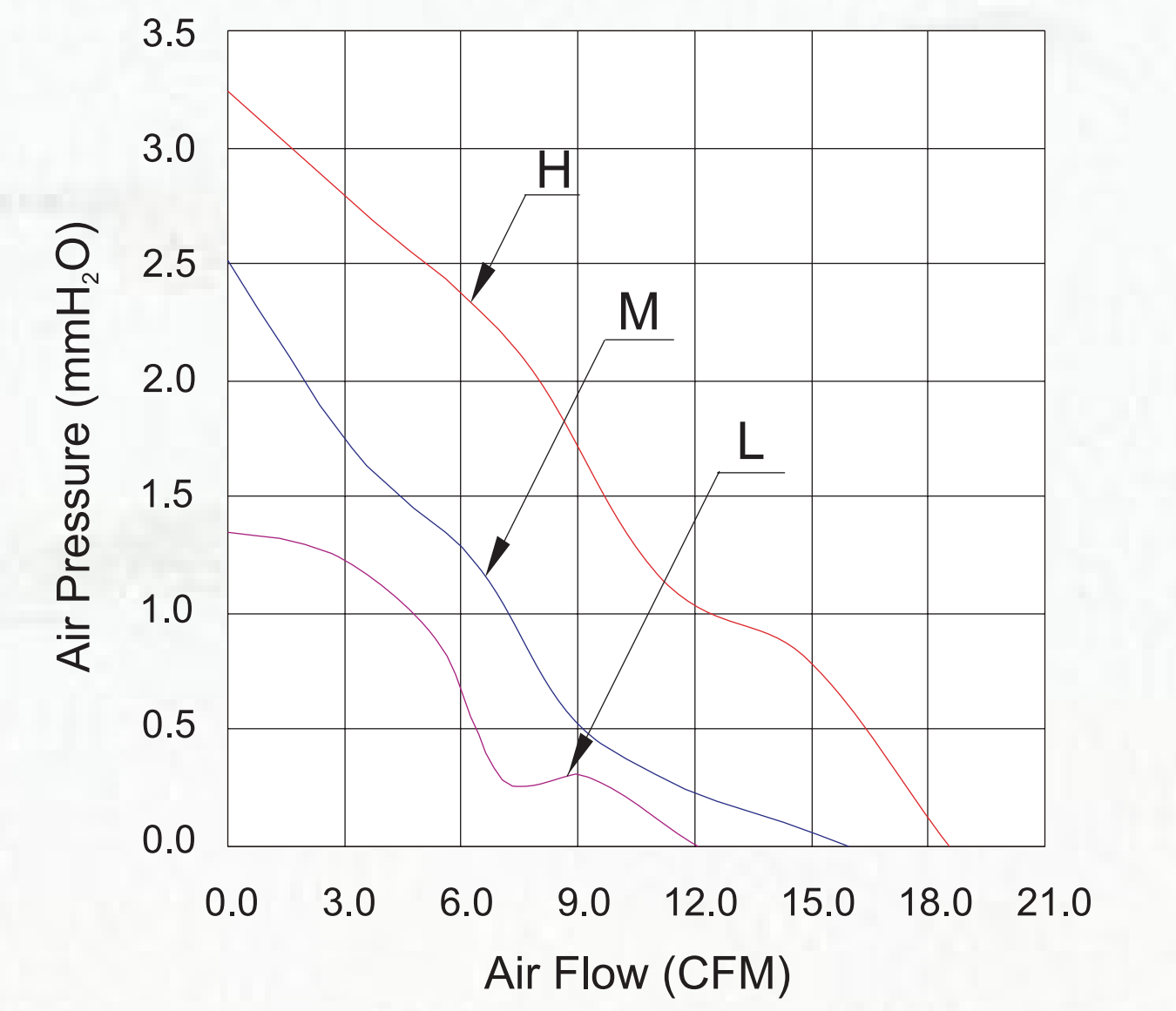
Operation Temperature : -10°C~70°C
35%~85%RH

Storage Temperature : -40°C~80°C
35%~85%RH

UL US CE (12V)

UL US CE (24V)

Performance Curves

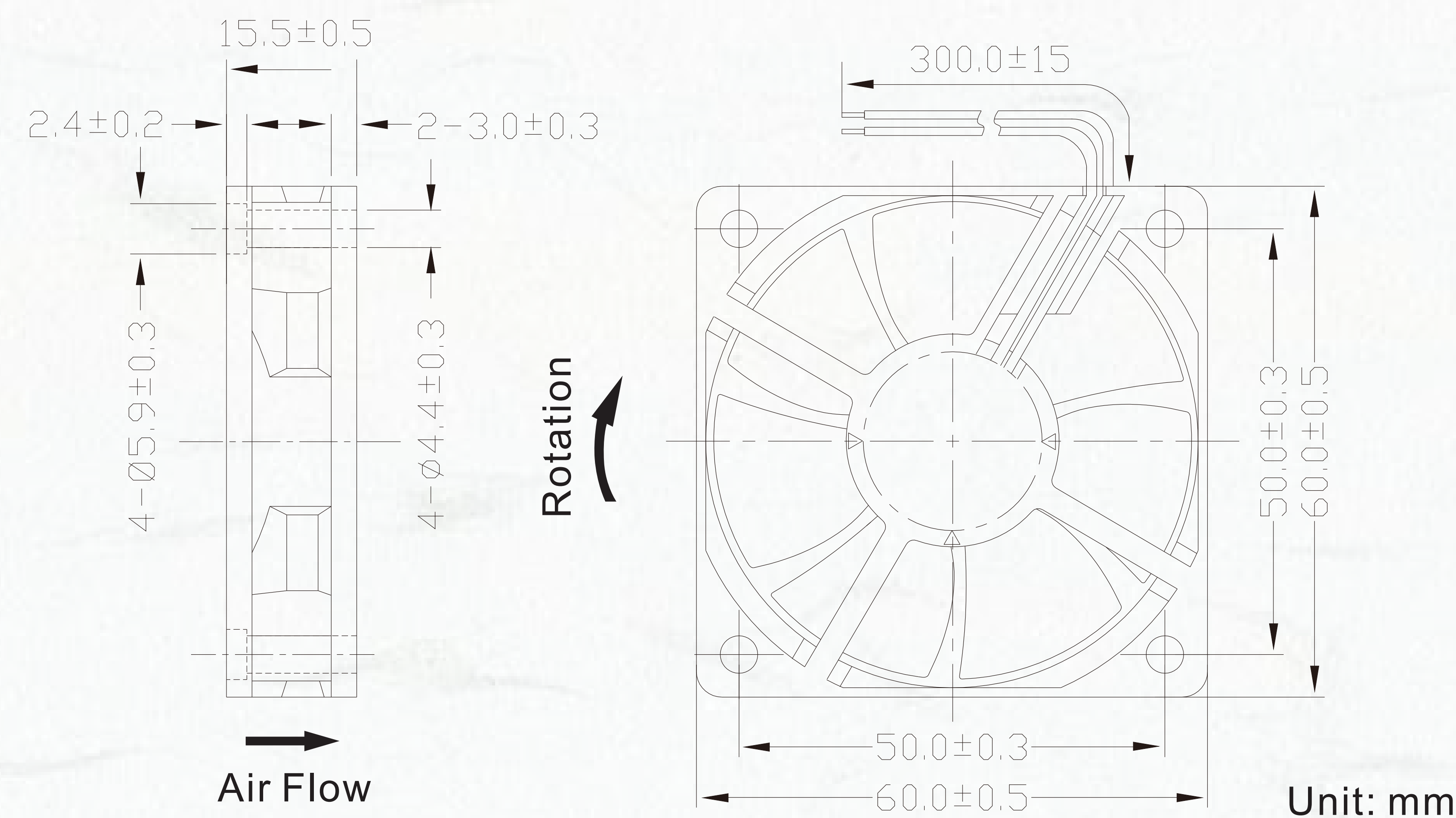


Listed Model	Bearing System	Rated Voltage	Operation Voltage	Rated Current	Rated Speed	Air Flow	Air Pressure	Noise Level	Available Features (Optional)				Weight
		VDC	VDC	A	RPM	CFM	mmH ₂ O	dBA	Tachometer Output	Rotation Detector	Thermal Control	Pulse Width Modulation	g
RDH6010S5	Sleeve	5	3.5~5.75	0.35	4,200	18.5	3.2	36	•	•			23
RDM6010S5			3.5~5.75	0.22	3,600	15.9	2.5	31	•	•			
RDL6010S5			3.5~5.75	0.17	3,000	12.1	1.4	27	•	•			
RDH6010B5	Ball		3.5~5.75	0.35	4,200	18.5	3.2	36	•	•			
RDM6010B5			3.5~5.75	0.22	3,600	15.9	2.5	31	•	•			
RDL6010B5			3.5~5.75	0.17	3,000	12.1	1.4	27	•	•			
RDH6010S1	Sleeve	12	6.0~13.8	0.22	4,200	18.5	3.2	36	•	•			
RDM6010S1			6.0~13.8	0.17	3,600	15.9	2.5	31	•	•			
RDL6010S1			6.0~13.8	0.14	3,000	12.1	1.4	27	•	•			
RDH6010B1	Ball		6.0~13.8	0.22	4,200	18.5	3.2	36	•	•			
RDM6010B1			6.0~13.8	0.17	3,600	15.9	2.5	31	•	•			
RDL6010B1			6.0~13.8	0.14	3,000	12.1	1.4	27	•	•			
RDH6010S2	Sleeve	24	12.0~27.6	0.11	4,200	18.5	3.2	36	•	•			
RDM6010S2			12.0~27.6	0.09	3,600	15.9	2.5	31	•	•			
RDL6010S2			12.0~27.6	0.07	3,000	12.1	1.4	27	•	•			
RDH6010B2	Ball		12.0~27.6	0.11	4,200	18.5	3.2	36	•	•			
RDM6010B2			12.0~27.6	0.09	3,600	15.9	2.5	31	•	•			
RDL6010B2			12.0~27.6	0.07	3,000	12.1	1.4	27	•	•			



60 x 60 x 15 mm

Dimensions Drawing



Main Application : Blood Analyzer

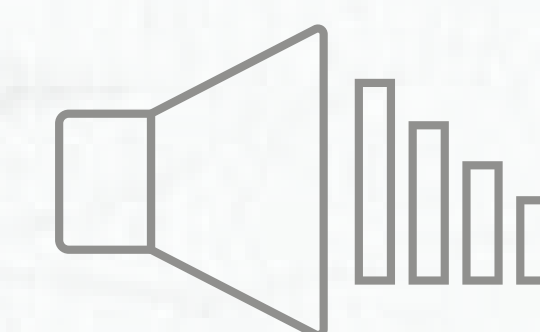
主要應用：血液分析儀



Energy Saving



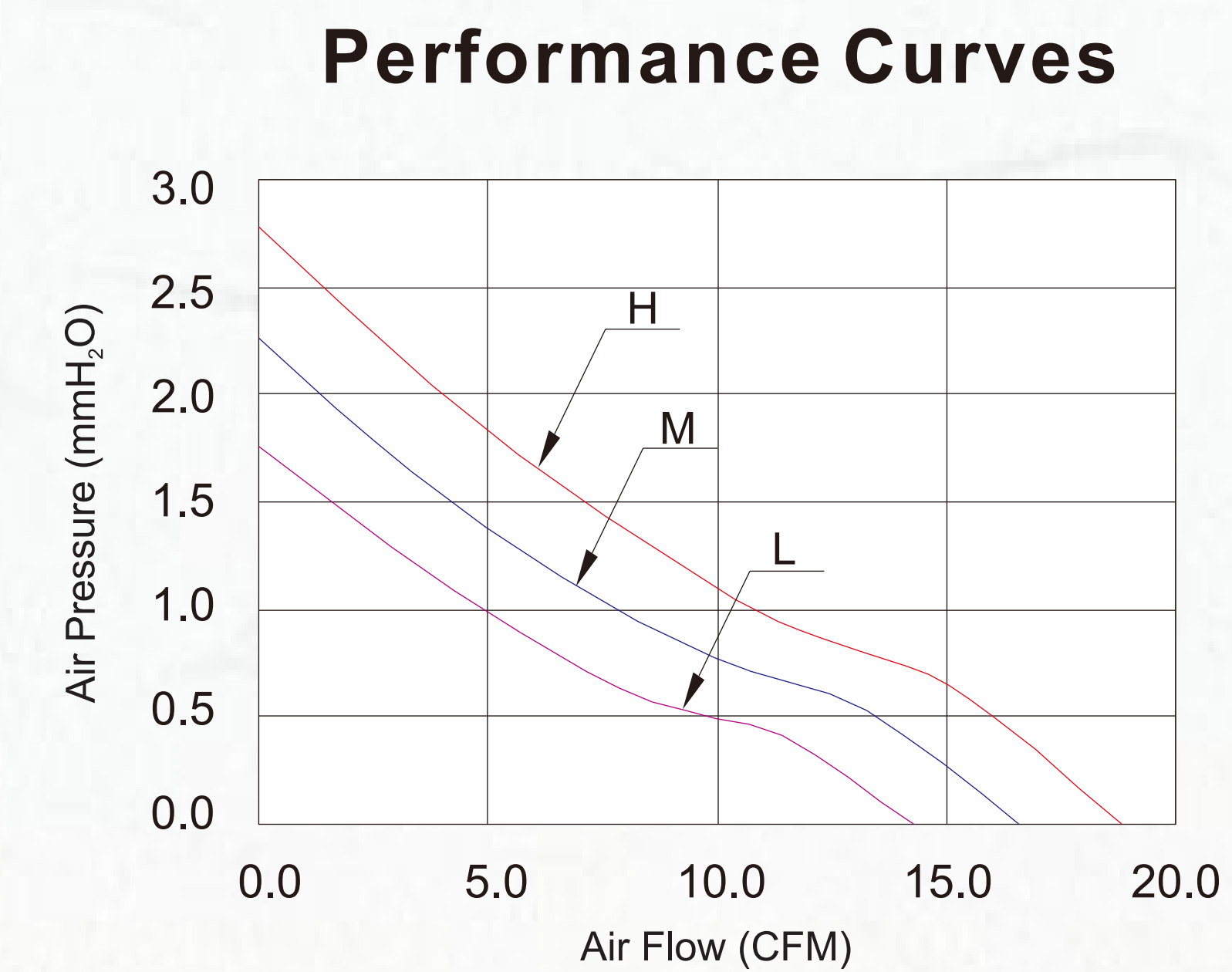
Waterproof and Dustproof



Low Noise

General Specification

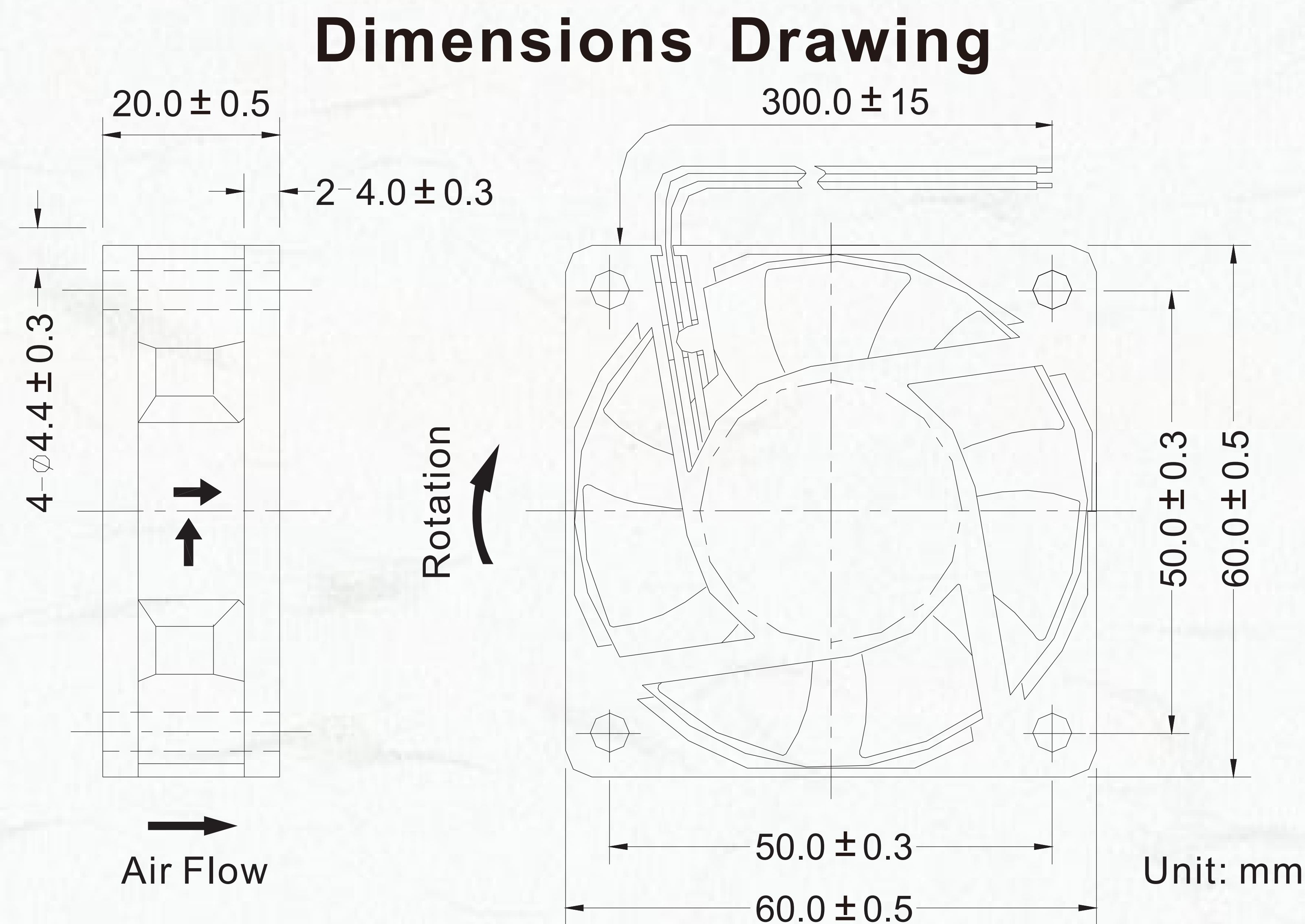
- Frame and Impeller : Thermal Plastic , UL 94V-0
- Lead Wires : UL Type
(+) : Red (-) : Black
- Operation Temperature : -10°C~70°C
35%~85%RH
- Storage Temperature : -40°C~80°C
35%~85%RH
- UL us CE (5V 12V)
VDE (24V)



Listed Model	Bearing System	Rated Voltage	Operation Voltage	Rated Current	Rated Speed	Air Flow	Air Pressure	Noise Level	Available Features (Optional)				Weight	
		VDC	VDC	A	RPM	CFM	mmH ₂ O	dBA	Tachometer Output	Rotation Detector	Thermal Control	Pulse Width Modulation	g	
RDH6015S5	Sleeve	5	3.5~5.75	0.40	4,500	18.8	2.8	32	•	•			34	
RDM6015S5			3.5~5.75	0.25	4,000	16.6	2.3	30	•	•				
RDL6015S5			3.5~5.75	0.15	3,500	14.3	1.8	26	•	•				
RDH6015B5			Ball	3.5~5.75	0.40	4,500	18.8	2.8	32	•	•			
RDM6015B5				3.5~5.75	0.25	4,000	16.6	2.3	30	•	•			
RDL6015B5				3.5~5.75	0.15	3,500	14.3	1.8	26	•	•			
RDH6015S1	Sleeve	12	6.0~13.8	0.17	4,500	18.8	2.8	32	•	•	•	•	34	
RDM6015S1			6.0~13.8	0.15	4,000	16.6	2.3	30	•	•	•	•		
RDL6015S1			6.0~13.8	0.11	3,500	14.3	1.8	26	•	•	•	•		
RDH6015B1			Ball	6.0~13.8	0.17	4,500	18.8	2.8	32	•	•	•		•
RDM6015B1				6.0~13.8	0.15	4,000	16.6	2.3	30	•	•	•		•
RDL6015B1				6.0~13.8	0.11	3,500	14.3	1.8	26	•	•	•		•
RDH6015S2	Sleeve	24	12.0~27.6	0.15	4,500	18.8	2.8	32	•	•			34	
RDM6015S2			12.0~27.6	0.10	4,000	16.6	2.3	30	•	•				
RDL6015S2			12.0~27.6	0.08	3,500	14.3	1.8	26	•	•				
RDH6015B2			Ball	12.0~27.6	0.15	4,500	18.8	2.8	32	•	•			
RDM6015B2				12.0~27.6	0.10	4,000	16.6	2.3	30	•	•			
RDL6015B2				12.0~27.6	0.08	3,500	14.3	1.8	26	•	•			



60 x 60 x 20 mm

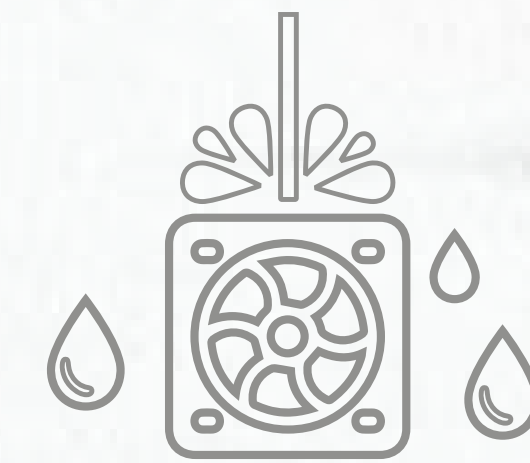


Main Application : Automated Nucleic Acid Purification

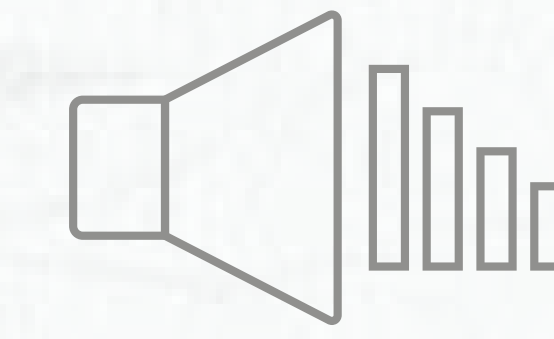
主要應用：DNA自動純化核酸儀器



Energy Saving



Waterproof and Dustproof



Low Noise

General Specification

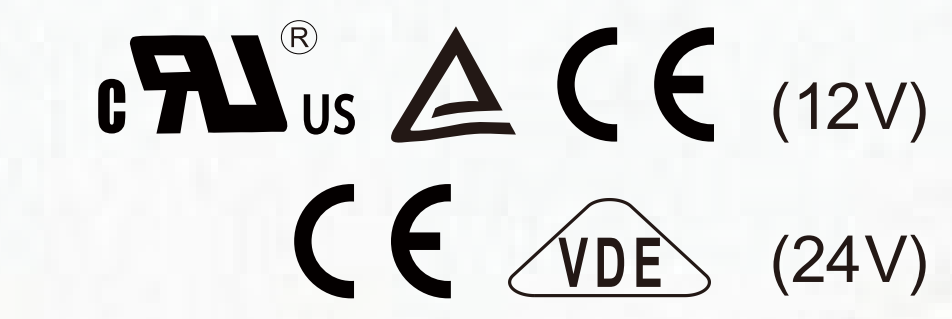
Frame and Impeller : Thermal Plastic , UL 94V-0

Lead Wires : UL Type

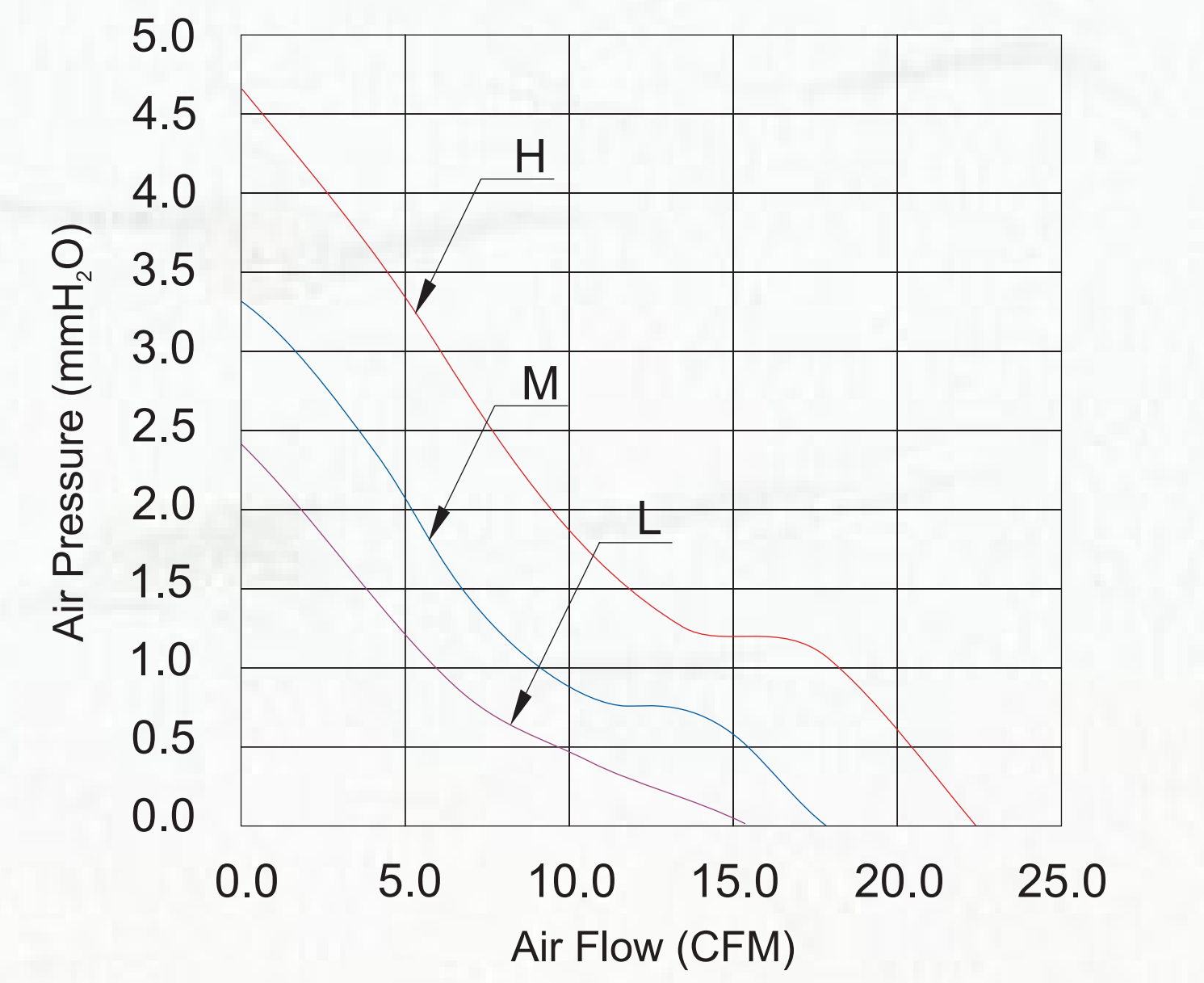
(+) : Red (-) : Black

Operation Temperature : -10°C~70°C
35%~85%RH

Storage Temperature : -40°C~80°C
35%~85%RH



Performance Curves

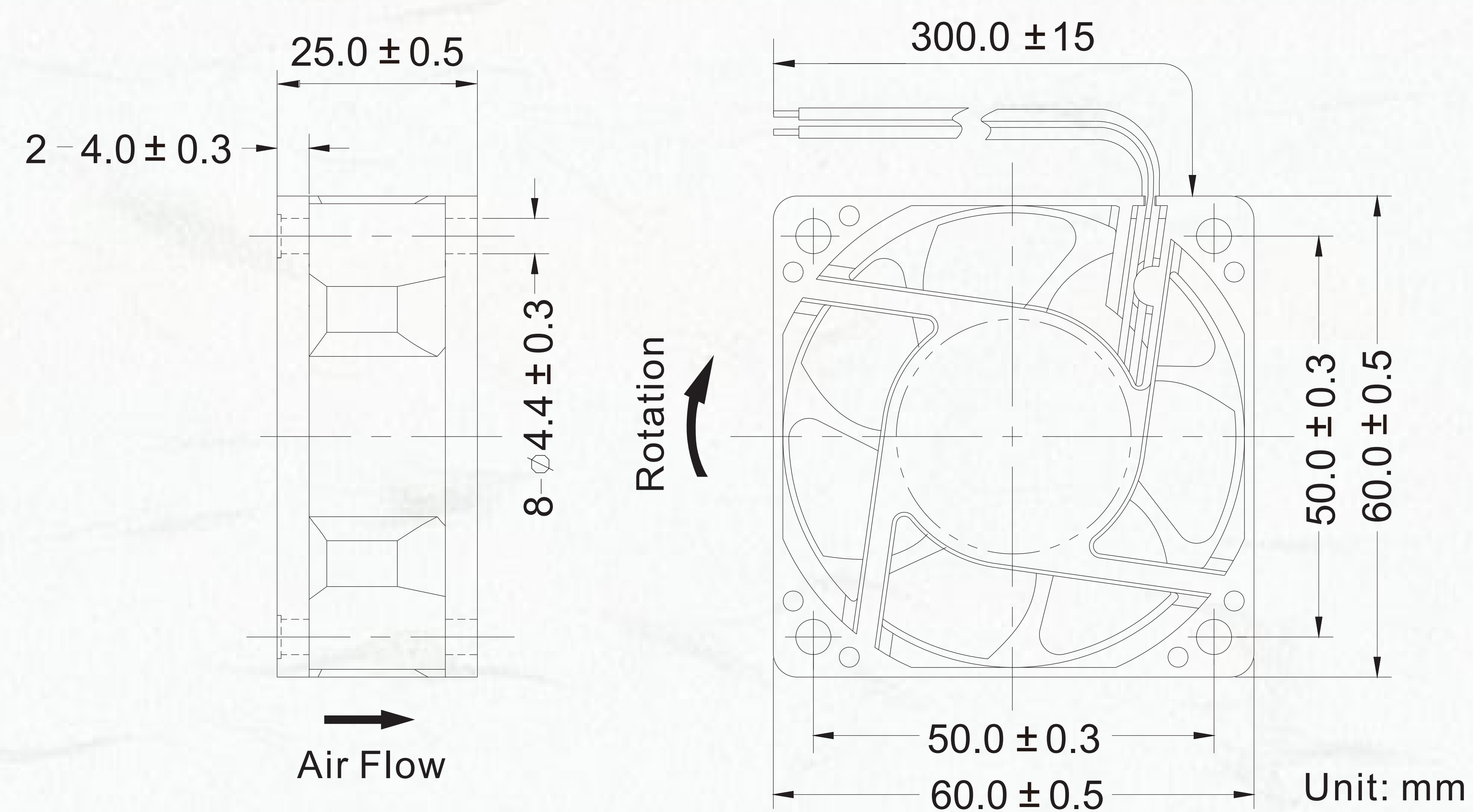


Listed Model	Bearing System	Rated Voltage	Operation Voltage	Rated Current	Rated Speed	Air Flow	Air Pressure	Noise Level	Available Features (Optional)				Weight	
		VDC	VDC	A	RPM	CFM	mmH ₂ O	dBA	Tachometer Output	Rotation Detector	Thermal Control	Pulse Width Modulation	g	
RDH6020S	Sleeve	12	6.0~13.8	0.16	4,200	22.3	4.7	35	•	•	•	•	50	
RDM6020S			6.0~13.8	0.12	3,500	18.5	3.3	29	•	•	•	•		
RDL6020S			6.0~13.8	0.08	3,000	15.7	2.4	26	•	•	•	•		
RDH6020B			Ball	6.0~13.8	0.16	4,200	22.3	4.7	35	•	•	•		•
RDM6020B				6.0~13.8	0.12	3,500	18.5	3.3	29	•	•	•		•
RDL6020B				6.0~13.8	0.08	3,000	15.7	2.4	26	•	•	•		•
RDH6020S2	Sleeve	24		12.0~27.6	0.13	4,200	22.3	4.7	35	•	•	•	•	
RDM6020S2			12.0~27.6	0.10	3,500	18.5	3.3	29	•	•	•	•		
RDL6020S2			12.0~27.6	0.08	3,000	15.7	2.4	26	•	•	•	•		
RDH6020B2			Ball	12.0~27.6	0.13	4,200	22.3	4.7	35	•	•	•	•	
RDM6020B2				12.0~27.6	0.10	3,500	18.5	3.3	29	•	•	•	•	
RDL6020B2				12.0~27.6	0.08	3,000	15.7	2.4	26	•	•	•	•	



60 x 60 x 25 mm

Dimensions Drawing



Main Application : Electric bed

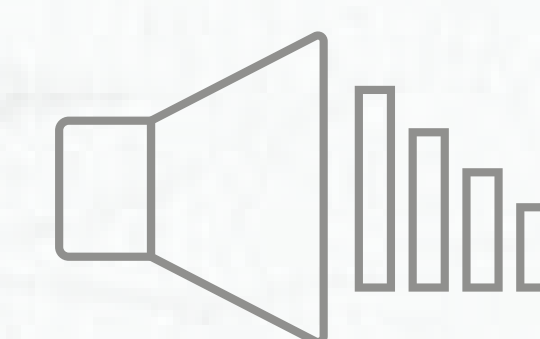
主要應用：電動病床



Energy Saving



Waterproof
and Dustproof



Low Noise

General Specification

Frame and Impeller : Thermal Plastic , UL 94V-0

Lead Wires : UL Type

(+) : Red (-) : Black

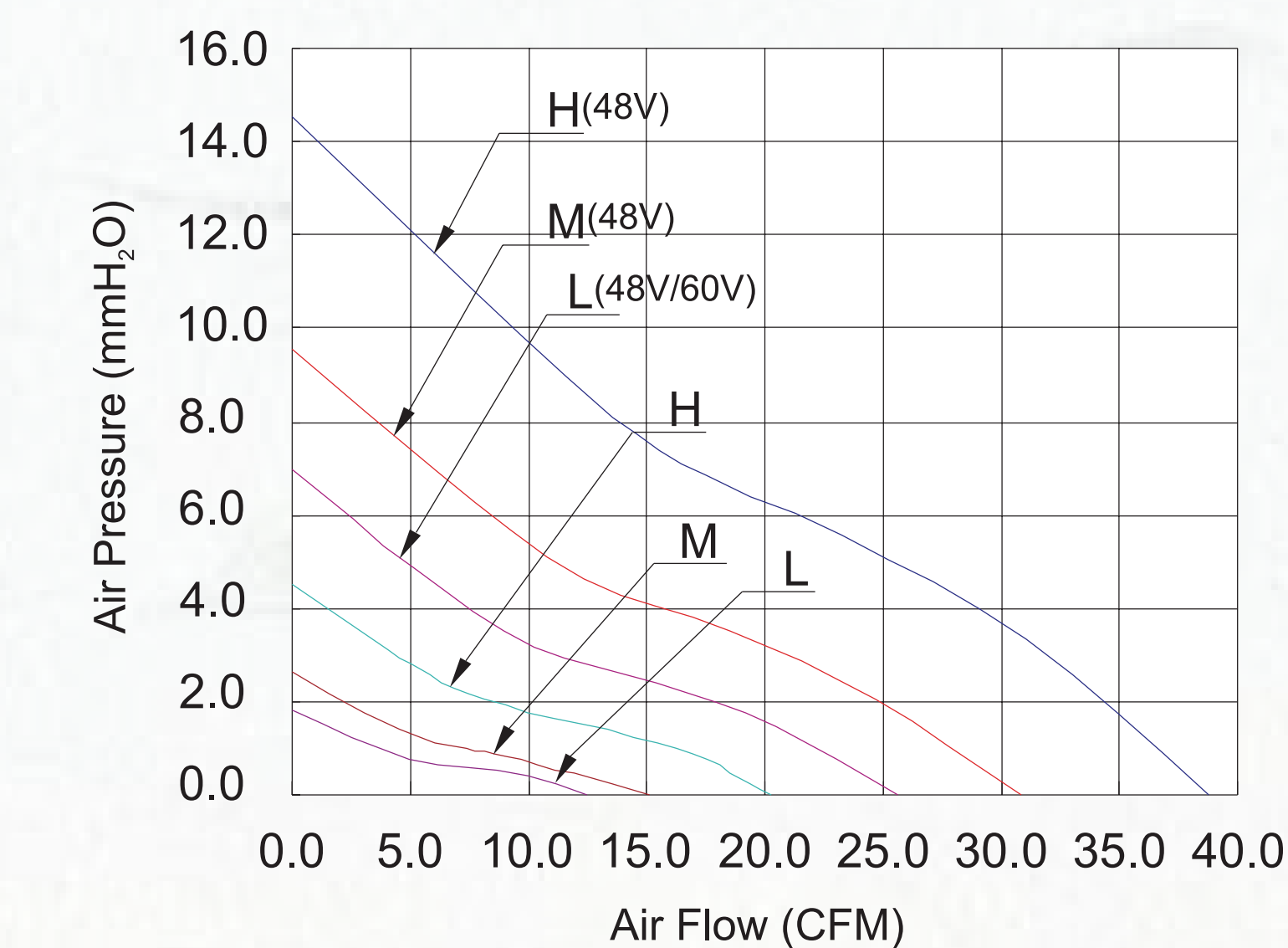
Operation Temperature : -10°C~70°C
35%~85%RH

Storage Temperature : -40°C~80°C
35%~85%RH

(12V 24V 48V)

(60V)

Performance Curves

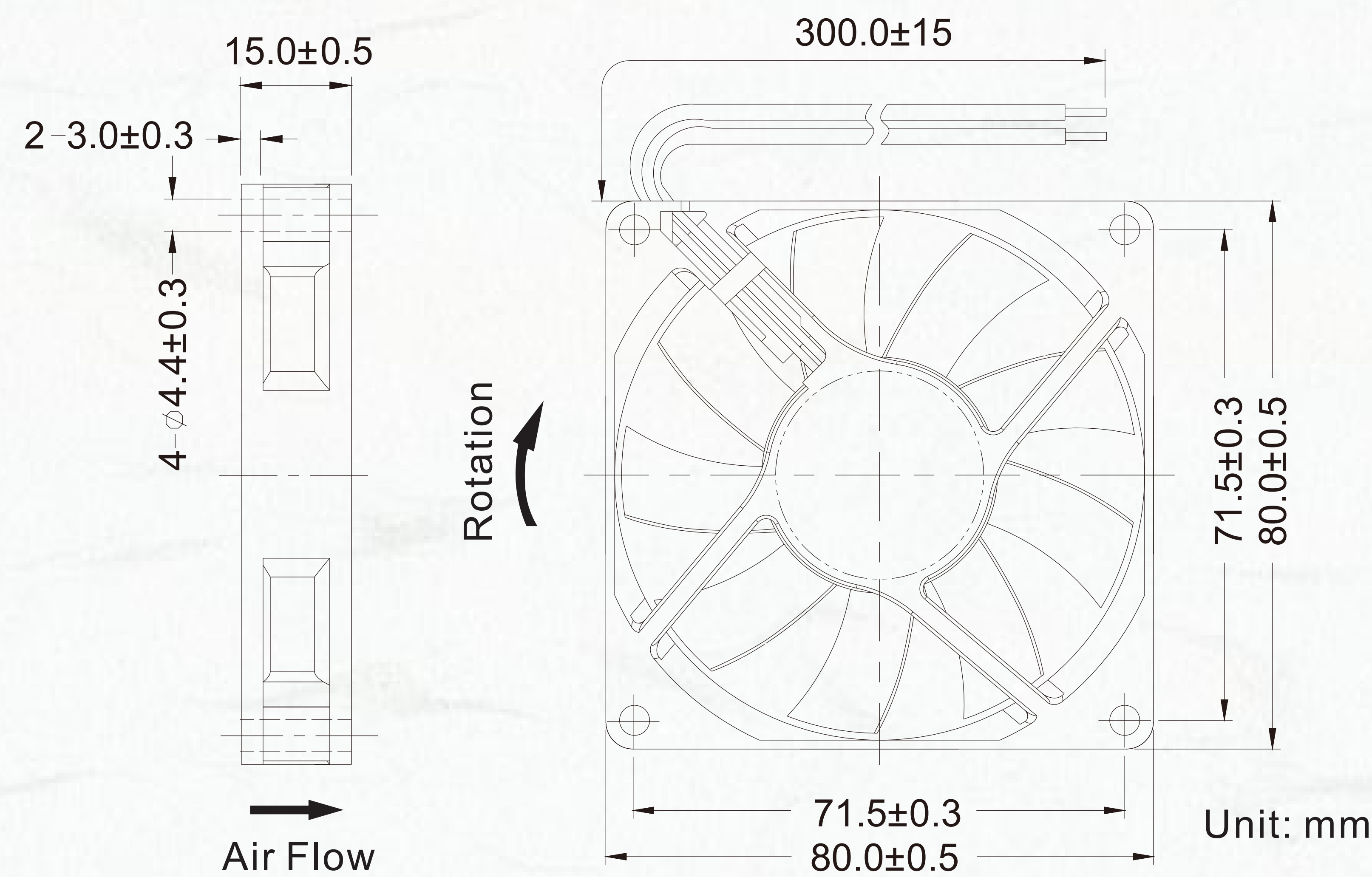


Listed Model	Bearing System	Rated Voltage	Operation Voltage	Rated Current	Rated Speed	Air Flow	Air Pressure	Noise Level	Available Features (Optional)				Weight	
		VDC	VDC	A	RPM	CFM	mmH ₂ O	dBA	Tachometer Output	Rotation Detector	Thermal Control	Pulse Width Modulation	g	
RDH6025S	Sleeve	12	6.0~13.8	0.14	4,000	20.3	4.5	29	•	•	•	•	62	
RDM6025S			6.0~13.8	0.10	3,000	15.1	2.6	24	•	•	•	•		
RDL6025S			6.0~13.8	0.07	2,500	12.5	1.8	22	•	•	•	•		
RDH6025B			Ball	6.0~13.8	0.14	4,000	20.3	4.5	29	•	•	•		•
RDM6025B				6.0~13.8	0.10	3,000	15.1	2.6	24	•	•	•		•
RDL6025B				6.0~13.8	0.07	2,500	12.5	1.8	22	•	•	•		•
RDH6025S2	Sleeve	24	12.0~27.6	0.14	4,000	20.3	4.5	29	•	•	•	•	62	
RDM6025S2			12.0~27.6	0.10	3,000	15.1	2.6	24	•	•	•	•		
RDL6025S2			12.0~27.6	0.09	2,500	12.5	1.8	22	•	•	•	•		
RDH6025B2			Ball	12.0~27.6	0.14	4,000	20.3	4.5	29	•	•	•		•
RDM6025B2				12.0~27.6	0.10	3,000	15.1	2.6	24	•	•	•		•
RDL6025B2				12.0~27.6	0.09	2,500	12.5	1.8	22	•	•	•		•
RDH6025S4	Sleeve	48	24.0~55.2	0.18	7,500	38.8	14.5	47	•	•	•	•	62	
RDM6025S4			24.0~55.2	0.12	6,000	30.9	9.6	40	•	•	•	•		
RDL6025S4			24.0~55.2	0.10	5,000	25.6	7.0	37	•	•	•	•		
RDH6025B4			Ball	24.0~55.2	0.18	7,500	38.8	14.5	47	•	•	•		•
RDM6025B4				24.0~55.2	0.12	6,000	30.9	9.6	40	•	•	•		•
RDL6025B4				24.0~55.2	0.10	5,000	25.6	7.0	37	•	•	•		•
RDL6025B6	Ball	60	36.0~72.0	0.20	5,000	25.6	7.0	37	•	•	•	•	62	



80 x 80 x 15 mm

Dimensions Drawing

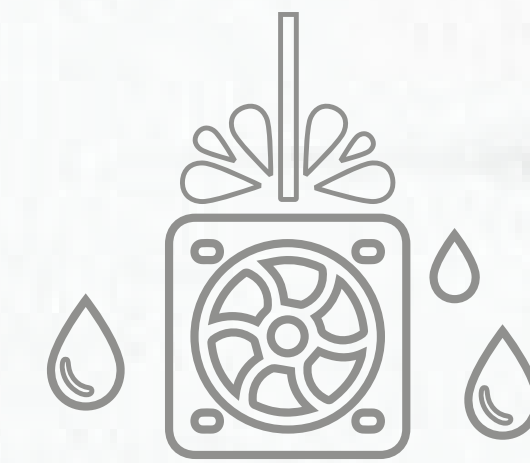


Main Application : CT Scanner/Blood Analyzer

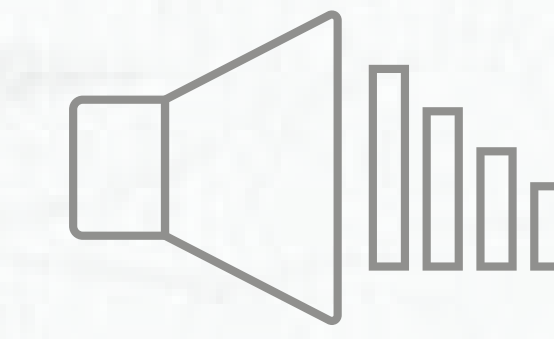
主要應用：CT斷層掃描/血液分析儀



Energy Saving



Waterproof
and Dustproof

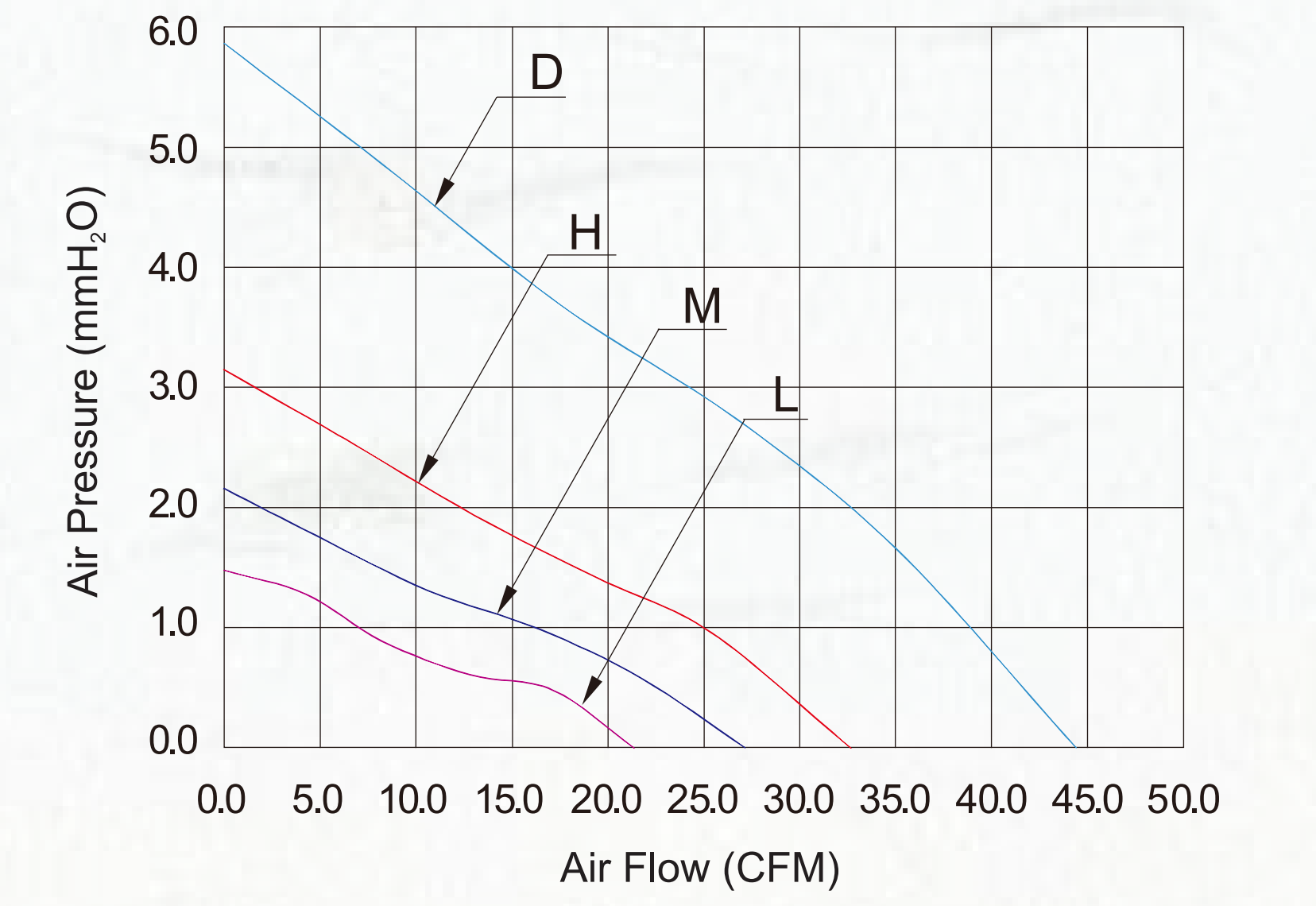


Low Noise

● **General Specification**

- Frame and Impeller : Thermal Plastic , UL 94V-0
- Lead Wires : UL Type
(+) : Red (-) : Black
- Operation Temperature : -10°C~70°C
35%~85%RH
- Storage Temperature : -40°C~80°C
35%~85%RH
- (12V)
 (24V)

Performance Curves

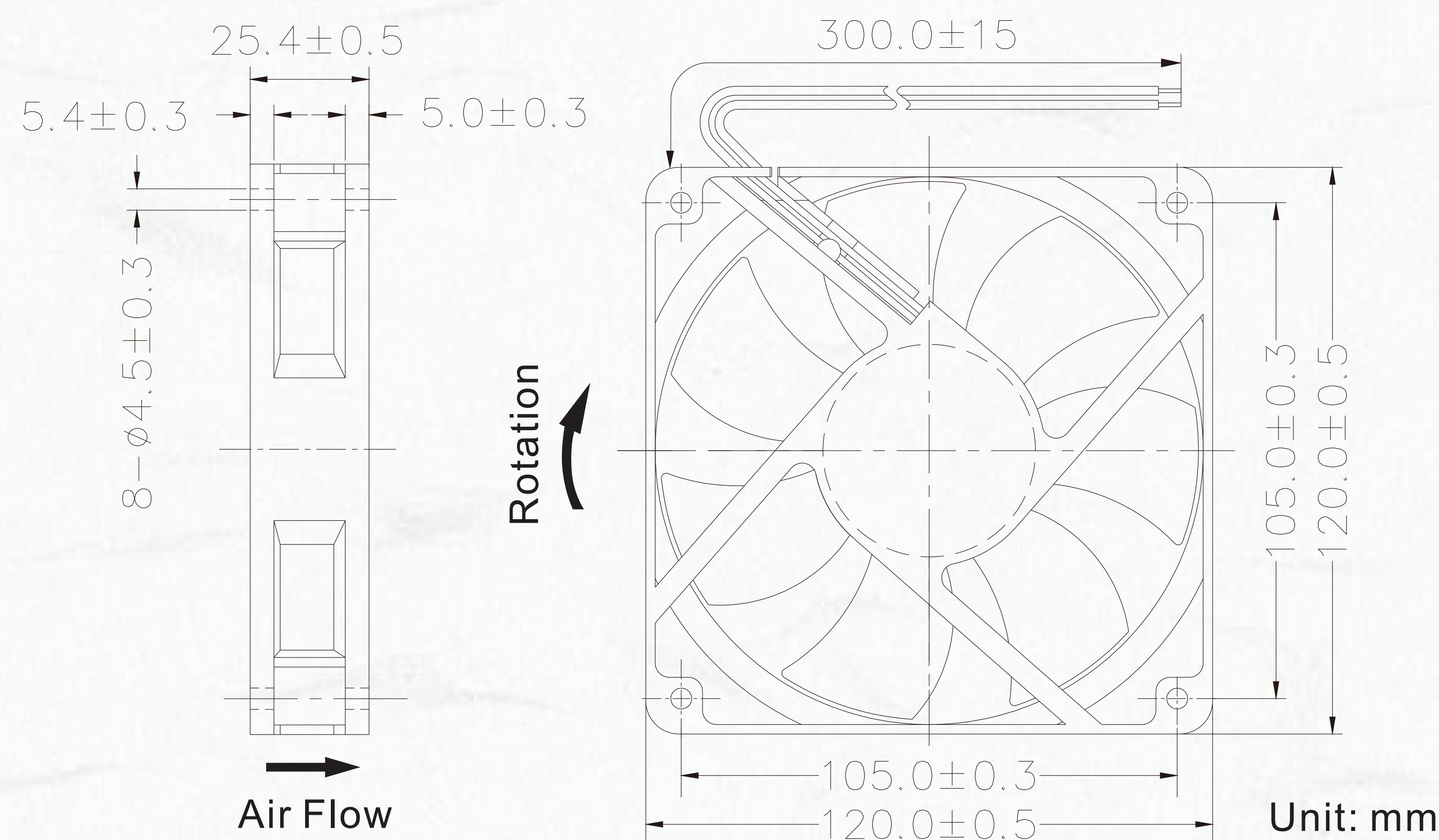


Listed Model	Bearing System	Rated Voltage	Operation Voltage	Rated Current	Rated Speed	Air Flow	Air Pressure	Noise Level	Available Features (Optional)				Weight	
		VDC	VDC	A	RPM	CFM	mmH ₂ O	dBA	Tachometer Output	Rotation Detector	Thermal Control	Pulse Width Modulation	g	
RDD8015S1	Sleeve	12	6.0~13.8	0.27	4,100	44.4	5.8	44	•	•		•	54	
RDH8015S1			6.0~13.8	0.17	3,000	32.7	3.2	35	•	•		•		
RDM8015S1			6.0~13.8	0.14	2,500	27.2	2.2	30	•	•		•		
RDL8015S1			6.0~13.8	0.09	2,000	21.4	1.5	25	•	•		•		
RDD8015B1	Ball		6.0~13.8	0.27	4,100	44.4	5.8	44	•	•		•		
RDH8015B1			6.0~13.8	0.17	3,000	32.7	3.2	35	•	•		•		
RDM8015B1			6.0~13.8	0.14	2,500	27.2	2.2	30	•	•		•		
RDL8015B1			6.0~13.8	0.09	2,000	21.4	1.5	25	•	•		•		
RDH8015S2	Sleeve		24	12.0~27.6	0.15	3,000	32.7	3.2	35	•	•			•
RDM8015S2				12.0~27.6	0.13	2,500	27.2	2.2	30	•	•			•
RDL8015S2				12.0~27.6	0.10	2,000	21.4	1.5	25	•	•			•
RDH8015B2				12.0~27.6	0.15	3,000	32.7	3.2	35	•	•			•
RDM8015B2	Ball	12.0~27.6		0.13	2,500	27.2	2.2	30	•	•		•		
RDL8015B2		12.0~27.6		0.10	2,000	21.4	1.5	25	•	•		•		



120 x 120 x 25 mm

Dimensions Drawing



Main Application : Ultrasound

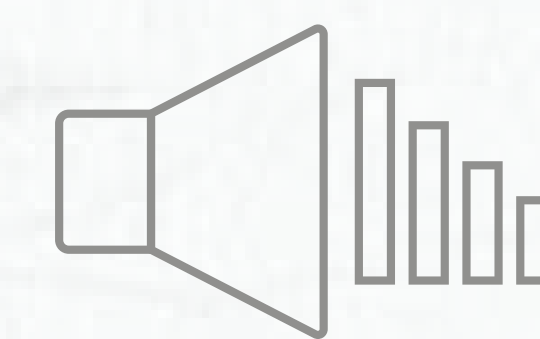
主要應用：超音波



Energy Saving



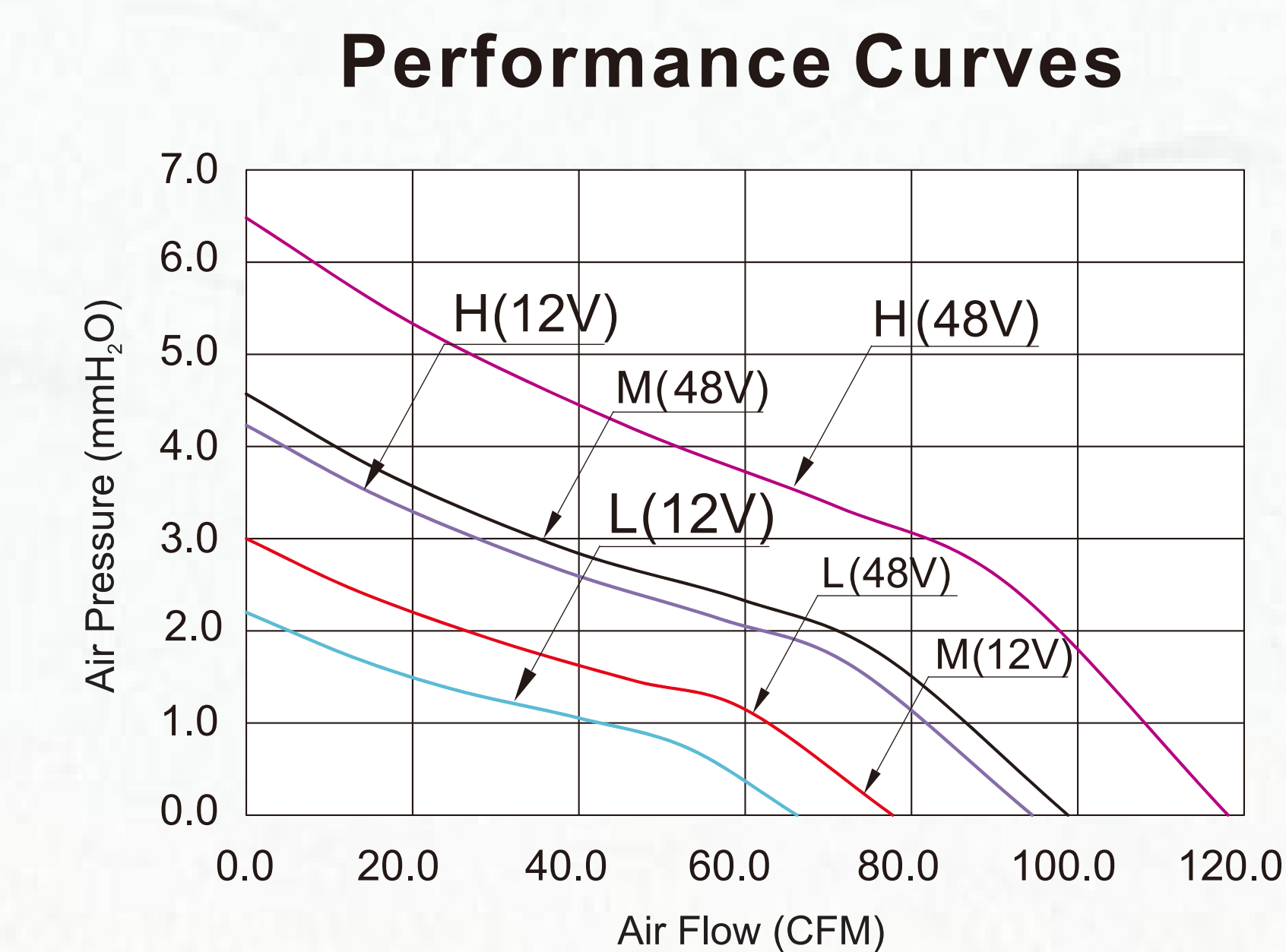
Waterproof
and Dustproof



Low Noise

General Specification

- Frame and Impeller : Thermal Plastic , UL 94V-0
- Lead Wires : UL Type
(+) : Red (-) : Black
- Operation Temperature : -10°C~70°C
35%~85%RH
- Storage Temperature : -40°C~80°C
35%~85%RH
-

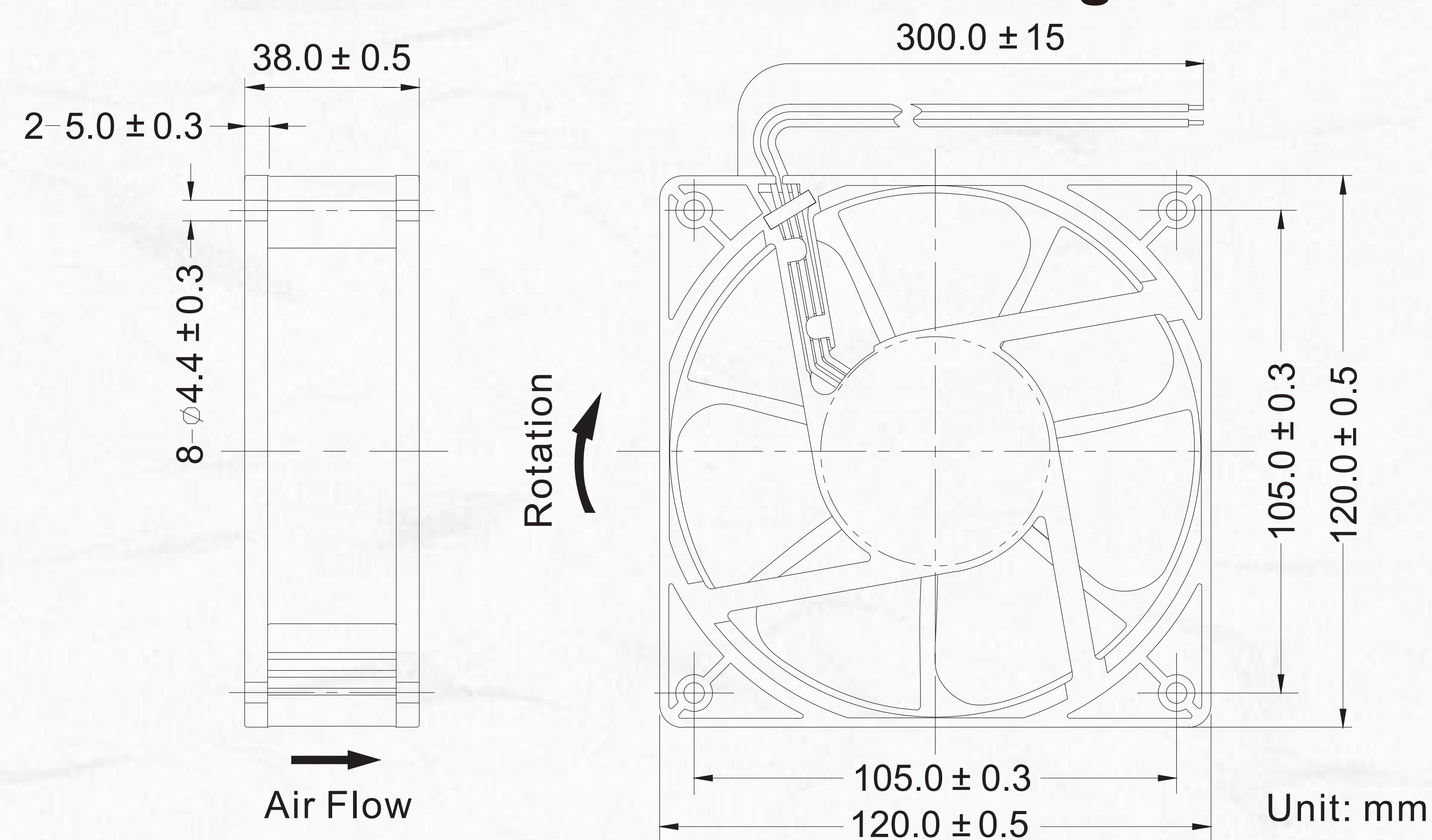


Listed Model	Bearing System	Rated Voltage	Operation Voltage	Rated Current	Rated Speed	Air Flow	Air Pressure	Noise Level	Available Features (Optional)				Weight		
		VDC	VDC	A	RPM	CFM	mmH ₂ O	dBA	Tachometer Output	Rotation Detector	Thermal Control	Pulse Width Modulation	g		
RDH1225S	Sleeve	12	6.0~13.8	0.40	2,400	94.5	4.2	41	•	•	•	•	164		
RDM1225S			6.0~13.8	0.23	2,000	77.7	3.0	36	•	•	•	•			
RDL1225S			6.0~13.8	0.18	1,700	66.2	2.2	31	•	•	•	•			
RDH1225B	Ball		6.0~13.8	0.40	2,400	94.5	4.2	41	•	•	•	•			
RDM1225B			6.0~13.8	0.23	2,000	77.7	3.0	36	•	•	•	•			
RDL1225B			6.0~13.8	0.18	1,700	66.2	2.2	31	•	•	•	•			
RDH1225S2	Sleeve	24	12.0~27.6	0.35	2,400	94.5	4.2	41	•	•			164		
RDM1225S2			12.0~27.6	0.20	2,000	77.7	3.0	36	•	•					
RDL1225S2			12.0~27.6	0.13	1,700	66.2	2.2	31	•	•					
RDH1225B2	Ball		12.0~27.6	0.35	2,400	94.5	4.2	41	•	•					
RDM1225B2			12.0~27.6	0.20	2,000	77.7	3.0	36	•	•					
RDL1225B2			12.0~27.6	0.13	1,700	66.2	2.2	31	•	•					
RDH1225B4	Ball	48	24.0~55.2	0.30	3,000	118.0	6.5	48	•	•	•	•	164		
RDM1225B4			24.0~55.2	0.24	2,500	98.8	4.6	43	•	•	•	•			
RDL1225B4			24.0~55.2	0.15	2,000	77.7	3.0	36	•	•	•	•			
RDH1225B6	Ball		60	36.0~72.0	0.30	3,000	118.0	6.5	48	•	•	•		•	



120 x 120 x 38 mm

Dimensions Drawing



Main Application : Ventilator

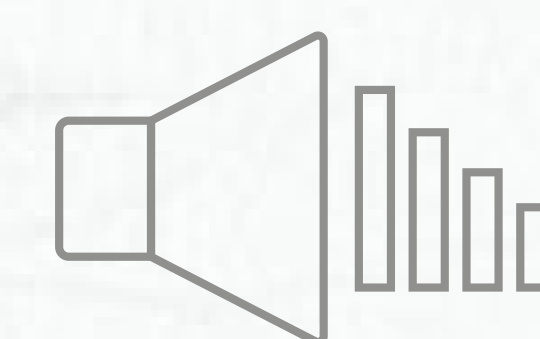
主要應用：呼吸機



Energy Saving



Waterproof
and Dustproof



Low Noise

General Specification

Frame and Impeller : Thermal Plastic , UL 94V-0

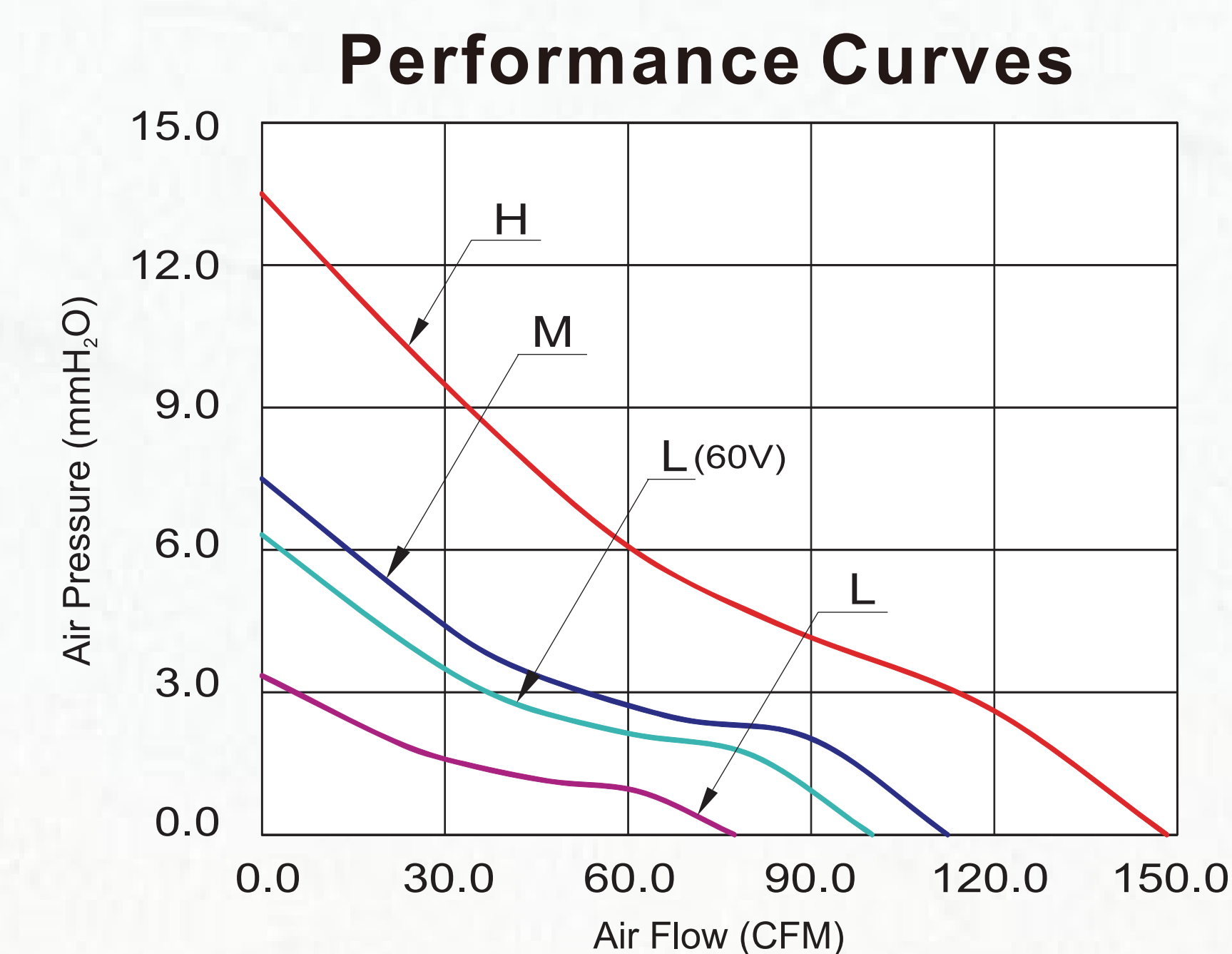
Lead Wires : UL Type
(+) : Red (-) : Black

Operation Temperature : -10°C~70°C
35%~85%RH

Storage Temperature : -40°C~80°C
35%~85%RH

(12V 24V 48V)

(60V)



Listed Model	Bearing System	Rated Voltage	Operation Voltage	Rated Current	Rated Speed	Air Flow	Air Pressure	Noise Level	Available Features (Optional)				Weight	
		VDC	VDC	A	RPM	CFM	mmH ₂ O	dBA	Tachometer Output	Rotation Detector	Thermal Control	Pulse Width Modulation	g	
RDH1238S1	Sleeve	12	6.0~13.8	1.30	3,800	148.3	13.5	52	•	•	•	•	290	
RDM1238S1			6.0~13.8	0.58	2,900	112.4	7.5	44	•	•	•	•		
RDL1238S1			6.0~13.8	0.28	2,000	77.4	3.3	35	•	•	•	•		
RDH1238B1			Ball	6.0~13.8	1.30	3,800	148.3	13.5	52	•	•	•		•
RDM1238B1				6.0~13.8	0.58	2,900	112.4	7.5	44	•	•	•		•
RDL1238B1				6.0~13.8	0.28	2,000	77.4	3.3	35	•	•	•		•
RDH1238S2	Sleeve	24	12.0~27.6	0.60	3,800	148.3	13.5	52	•	•	•	•	290	
RDM1238S2			12.0~27.6	0.40	2,900	112.4	7.5	44	•	•	•	•		
RDL1238S2			12.0~27.6	0.30	2,000	77.4	3.3	35	•	•	•	•		
RDH1238B2			Ball	12.0~27.6	0.60	3,800	148.3	13.5	52	•	•	•		•
RDM1238B2				12.0~27.6	0.40	2,900	112.4	7.5	44	•	•	•		•
RDL1238B2				12.0~27.6	0.30	2,000	77.4	3.3	35	•	•	•		•
RDH1238S4	Sleeve	48	24.0~55.2	0.35	3,800	148.3	13.5	52	•	•	•	•	290	
RDM1238S4			24.0~55.2	0.30	2,900	112.4	7.5	44	•	•	•	•		
RDL1238S4			24.0~55.2	0.20	2,000	77.4	3.3	35	•	•	•	•		
RDH1238B4			Ball	24.0~55.2	0.35	3,800	148.3	13.5	52	•	•	•		•
RDM1238B4				24.0~55.2	0.30	2,900	112.4	7.5	44	•	•	•		•
RDL1238B4				24.0~55.2	0.20	2,000	77.4	3.3	35	•	•	•		•
RDL1238B6	Ball	60	36.0~72.0	0.30	2,600	100.0	6.3	41	•	•	•	•		

Company Location

服務據點



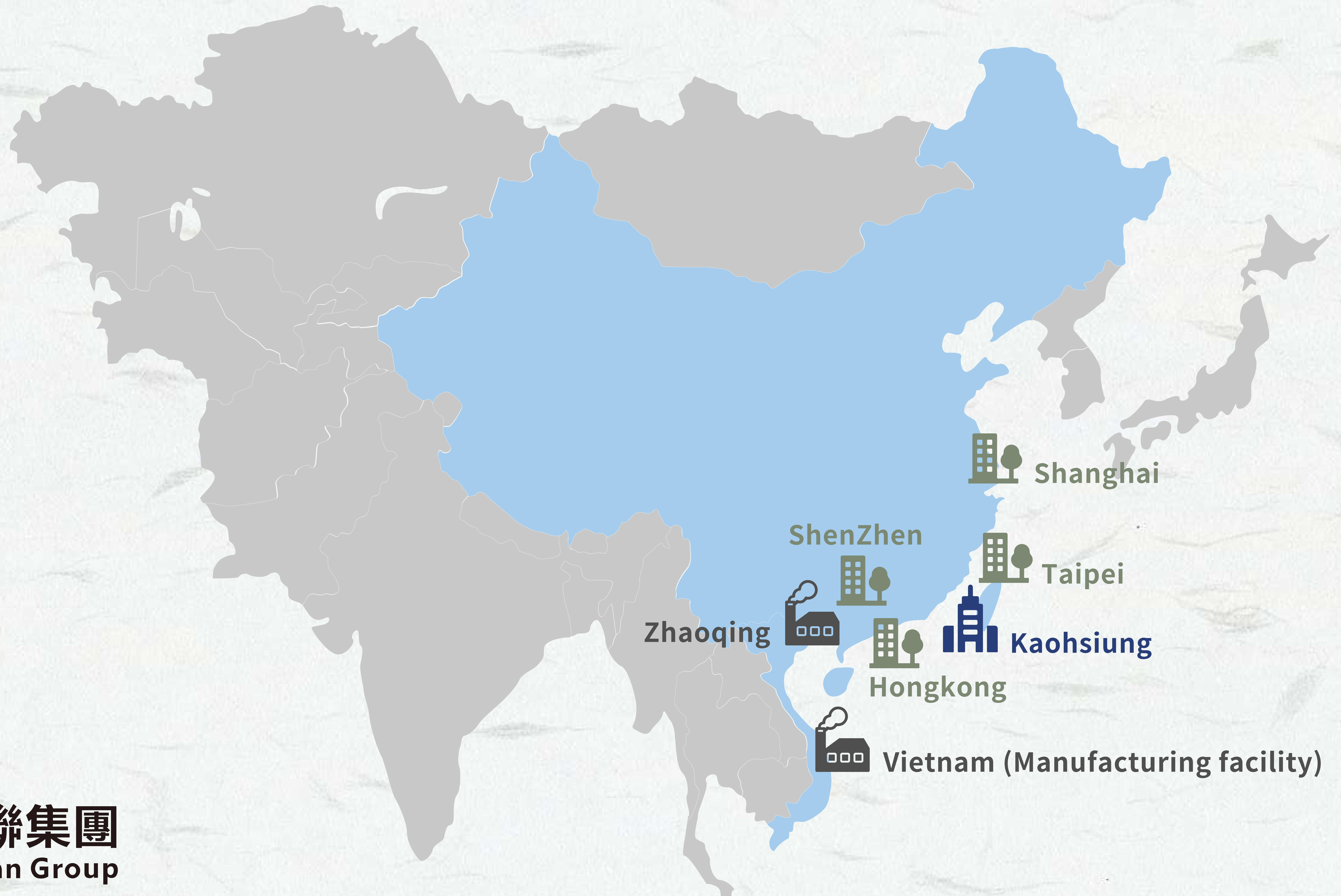
Head Office



Sales Office



Factory



欣瑞聯集團
Xinruilian Group